

MECHLOK™ LINEAR POSITIONERS

- ▶ Compact packaging with infinite adjustment
- ▶ Inline or offset mounting
- ▶ 2000lb rigid locking
- ▶ Range of strokes
- ▶ Choice of finishes
- ▶ Remote actuation
- ▶ Available with spring output force

Crane Aerospace & Electronics Mechlok™ Linear Positioners are built to the same P.L. Porter tradition of quality that has been the aircraft industry standard for over 50 years.

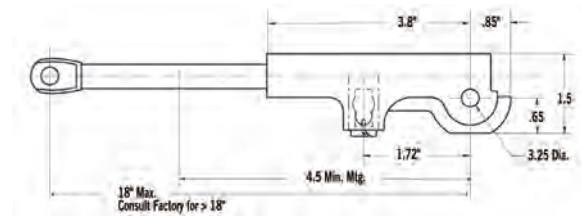


INNOVATIVE | TRUSTED | COLLABORATIVE

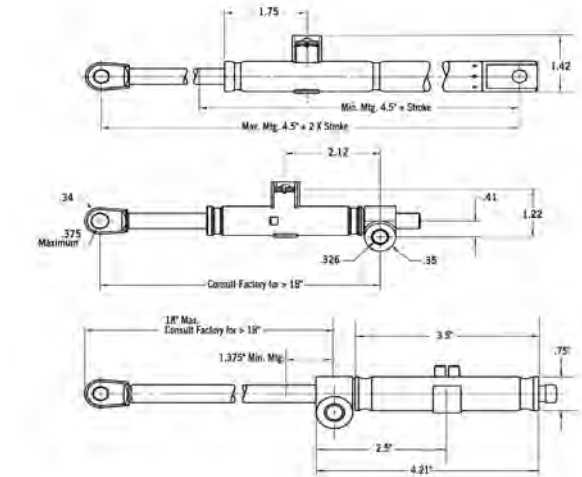
MECHLOK™ LINEAR POSITIONERS



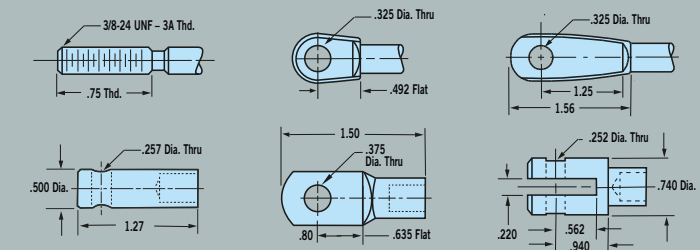
CLAMSHELL HOUSING



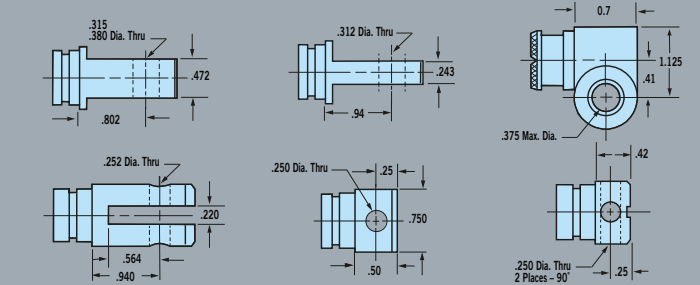
TUBULAR HOUSING



Universal Rod Ends for Clamshell or Tubular Housings



Attach Ends for Tubular Housings



Custom Applications Quoted Upon Request



3000 Winona Avenue
Burbank, California 91504
United States

Mail: PO Box 7722
Burbank, California 91510
United States

Phone: +1 (818) 526-2600
www.craneae.com



CLAMSHELL DESIGN

Value priced offset mount construction

Available in thru-shaft design with unlimited stroke range



Standard – Black Oxide Finish



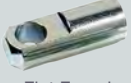

Optional – Natural Finish

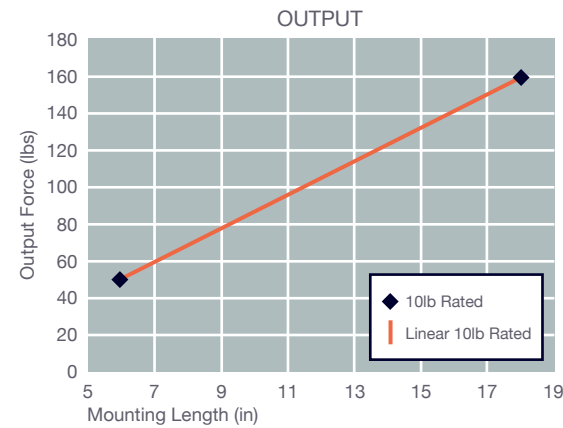
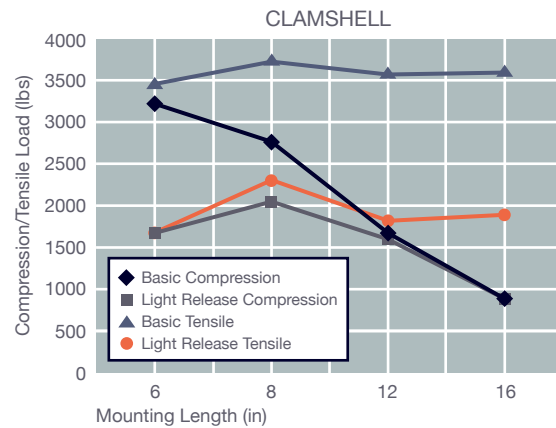


Snap-on Release Cable

CLAMSHELL SPECIFICATIONS

Fatigue Life @ 600(lbs)	25k Cycles
Release Effort	6± lbs Nominal
Sliding Friction	<6 lbs
Nominal Operating Load	200 lbs
Ultimate Load	See Graph

UNIVERSAL ROD ENDS	AVAILABLE ROD FINISHES	RELEASE MECHANISMS
 Clevis  Pin  Spherical Bearing  Threaded Rod  Flat Faced  Standard Formed End  Long Formed End	 Black Oxide Standard  Chrome	 Lever Release (Single or Dual Actuation)  Lever Release  Compact Lever Release  Button Release (Light Release Clamshell Only)

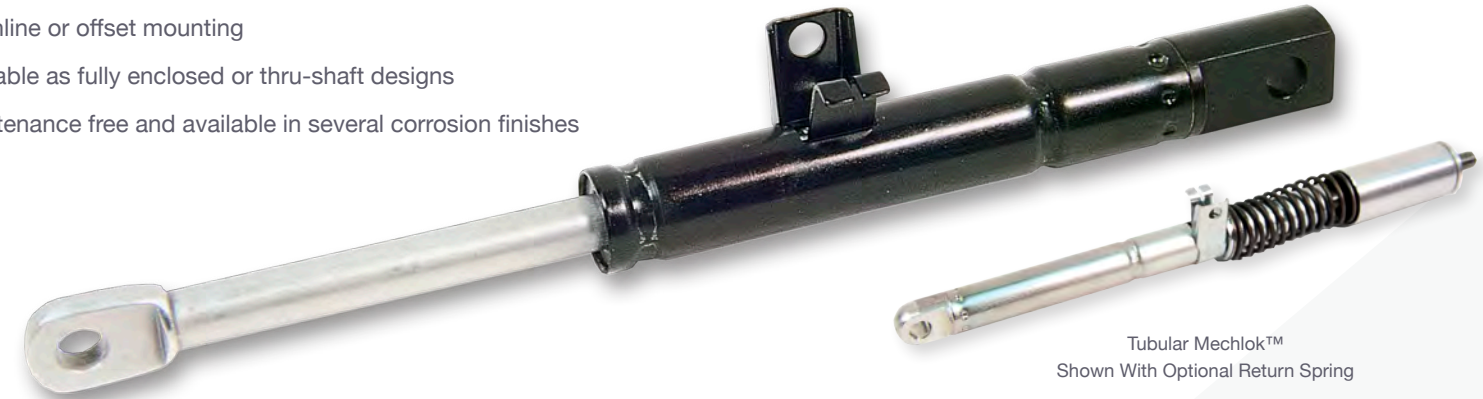


TUBULAR DESIGN

For inline or offset mounting

Available as fully enclosed or thru-shaft designs

Maintenance free and available in several corrosion finishes



Tubular Mechlok™
Shown With Optional Return Spring



Standard – Black Zinc
(Excellent Corrosion Resistance)



Optional – Bright Chrome



Optional – White Zinc

AVAILABLE ATTACH ENDS FOR TUBULAR MECHLOK'S



TUBULAR SPECIFICATIONS

Fatigue Life @ 600(lbs)	25k Cycles
Release Effort	6± lbs Nominal
Sliding Friction	<6 lbs
Nominal Operating Load	200 lbs
Ultimate Load	See Graph

