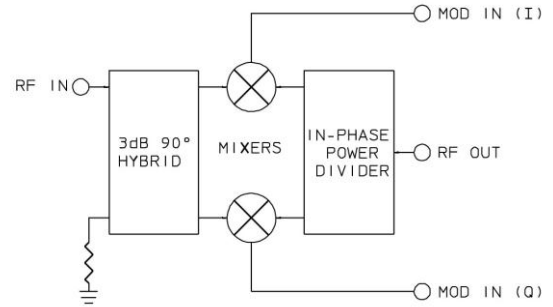


SSP-1R SERIES – SINGLE SIDEBAND MODULATORS

TECHNICAL FEATURE

FEATURES

- 10 to 1000 MHz
- 30 dB Sideband Rejection
- Quadrature-Phased Baseband Inputs

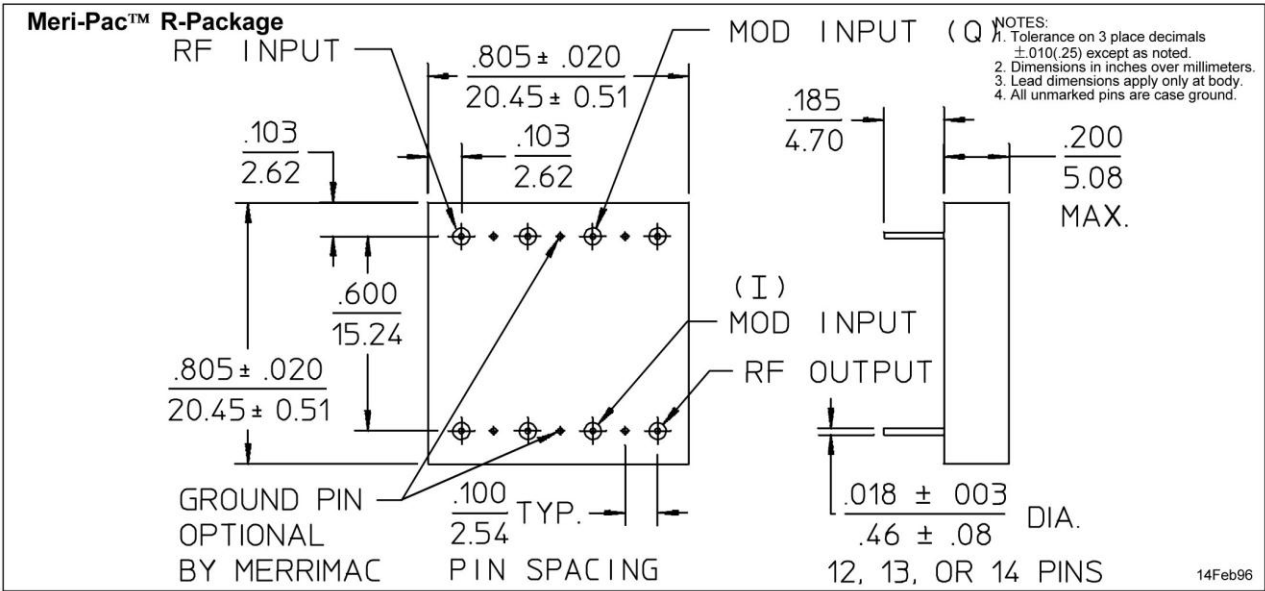


PRINCIPAL SPECIFICATIONS		
Model Number	Center Frequency, f_0 , MHz	Usable Bandwidth MHz
SSP-1R-***B	10 - 1000	10% of f_0
For complete Model Number replace *** with desired Center Frequency in MHz.		

GENERAL SPECIFICATIONS*	
RF Input Characteristics	
Impedance:	50 Ω nom.
VSWR:	1.5:1 max.
RF Power Level:	+10 dBm nom.
Modulation Inputs	
Power Level:	- 3 dBm
Bandwidth:	DC to 10% of RF
Output Characteristics	
Conversion Loss:	9 dB max.
Sideband Rejection:	30 dB min.
Carrier Suppression:	25 dB min.
Weight, nominal:	0.32 oz (9 g)
Operating Temp:	- 55° to +85°C
*Device used as upconverter	

General Notes:

1. Single Sideband Modulators are integrated networks composed of an in-phase power divider, two double balanced mixers and at least one 90° quadrature hybrid.
2. The SSP-1R series is suitable for applications where the modulating signal is provided together with one in phase quadrature to it. This permits operation down to DC and eliminates the need for a second 90° quadrature hybrid.
3. Units in the SSP-1R series are suitable where the desired and undesired RF sidebands are too close to be effectively separated with a simple bandpass filter or where minimum group delay is required.
4. Merrimac Single Sideband Modulators are available in various package options.
5. Merrimac Single Sideband Modulators comply with the relevant sections of MIL-M-28837 and may be supplied screened for compliance with additional specifications for military and space applications requiring the highest reliability.



Crane Aerospace & Electronics
 Microwave Solutions – Merrimac Industries
 41 Fairfield Place, West Caldwell, NJ 07006
 + 1.973.575.1300 ext. 1309 • mw@crane-eg.com
www.craneeae.com/mw



SSP1R.doc. This revision supersedes all previous releases. All technical information is believed to be accurate, but no responsibility is assumed for errors. We reserve the right to make changes in products or specifications without notice. Copyright © 2013 Crane Electronics, Inc. All rights reserved.