

# PDML-60-500H — 0° POWER DIVIDER/COMBINER

## TECHNICAL FEATURE

### FEATURES

- 50 - 1000 MHz
- Lumped Element
- K-Connectors
- Low Insertion Loss
- Hermetic
- Low Profile Package
- 6 - Way

### PRINCIPAL SPECIFICATIONS

Model Number	Frequency Range MHz	Isolation dB	Insertion Loss, dB	Phase Balance	Amplitude Balance dB	VSWR Max.		CW Input, W, Load VSWR out		
		Min.	Max.	Max.	Max.	In	Out	1.2:1	2.0:1	∞
PDML-60-500H	50 - 1000	20	2.5	8°	0.6	1.5:1	1.5:1	2	1	0.2

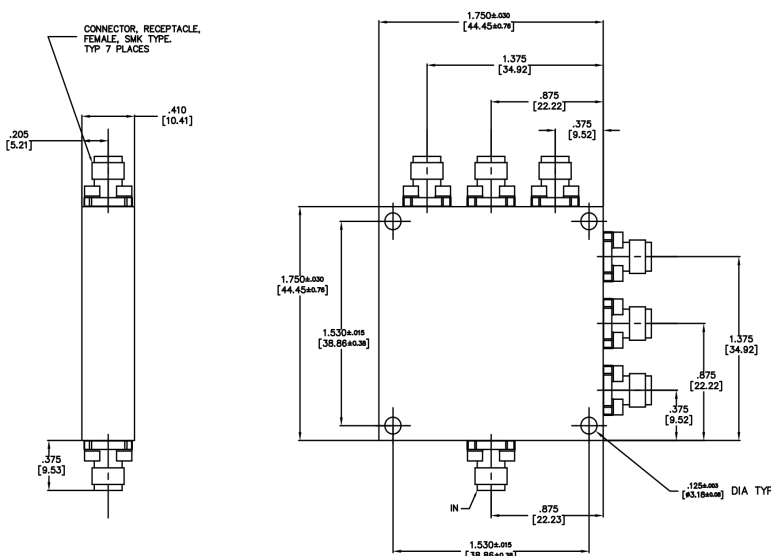
### GENERAL NOTES

- The PDML-60-500H series of 6-way, low profile, in-line Power Dividers/Combiners covers 50 to 1000 MHz using a lumped element design for broad bandwidth and high performance.

### GENERAL SPECIFICATIONS

- Coupling .....-7.78 dB nom.  
 Impedance.....50 Ω nom.  
 Internal Load Dissipation..... 250 mW max.  
 Weight, max ..... 2.6 oz. (74g)  
 Operating Temperature ..... -55° to +85° C

### PACKAGE OUTLINE



- NOTES:
- TOLERANCE ON 3 PLACE DECIMALS ±.020(.51) EXCEPT AS NOTED.
  - DIMENSIONS IN INCHES OVER MILLIMETERS.
  - WEIGHT (MAX) 3.0 oz (85 grams).

