

NJ-40002/40004/40005 2-WAY 180° POWER DIVIDER

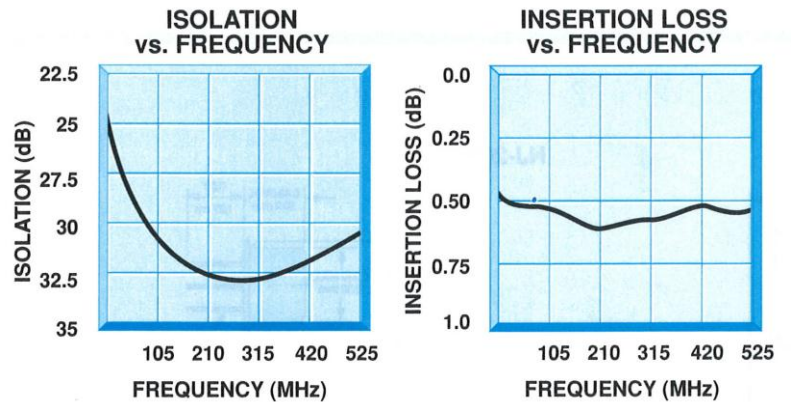
TECHNICAL FEATURE

FEATURES

- 50 to 500 MHz

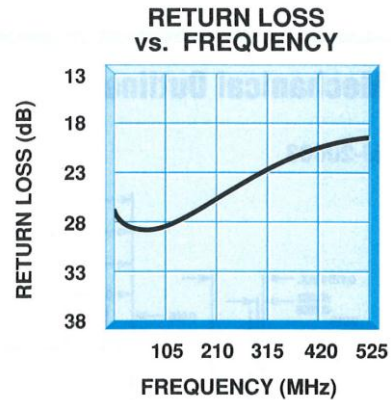
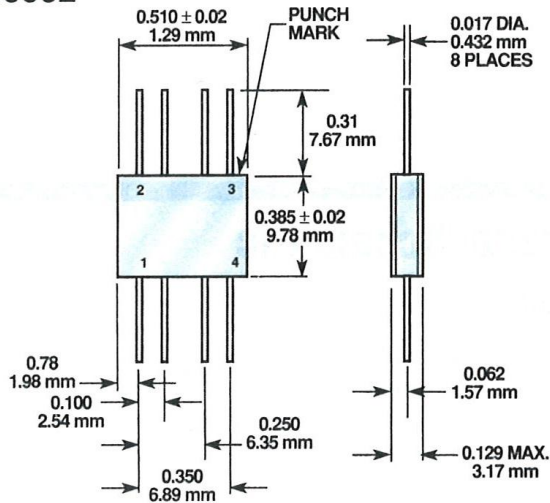
PERFORMANCE

Frequency Range.....	50 - 500 MHz
Isolation.....	25 dB min
Insertion Loss	1.0 dB max
VSWR.....	1.3:1 max
Phase Balance	±3° max
Amplitude Balance	±0.3 dB max
Impedance.....	50 Ohms
Power Handling.....	3 Watts max
Operating Temperature Range.....	-54 to +85° C



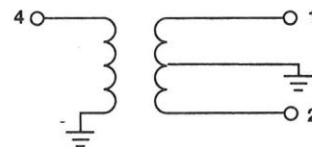
MECHANICAL OUTLINE

NJ-40002



FUNCTIONAL SCHEMATIC

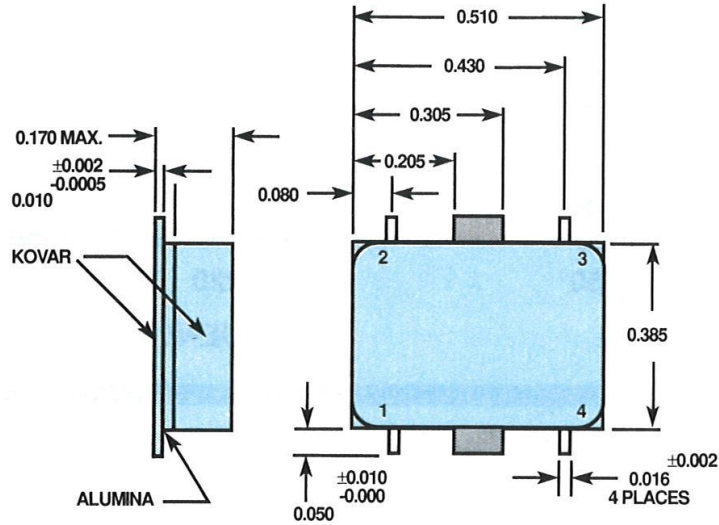
NJ-40002



NJ 40002/40004/40005 2-WAY 180° POWER DIVIDER

MECHANICAL OUTLINE

NJ-40004



NJ-40004

