

D4-50001 20 dB BI-DIRECTIONAL COUPLERS

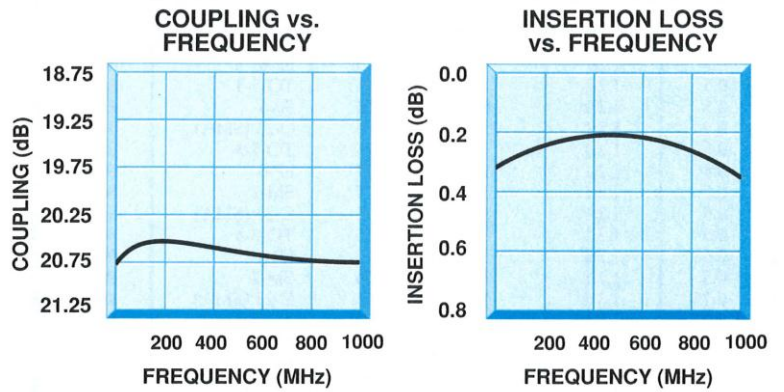
TECHNICAL FEATURE

FEATURES

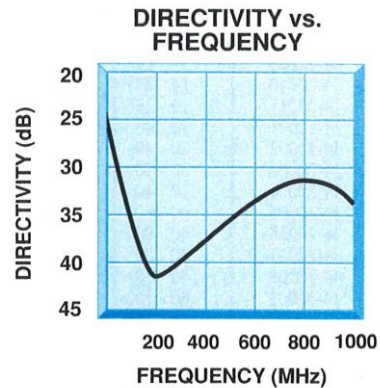
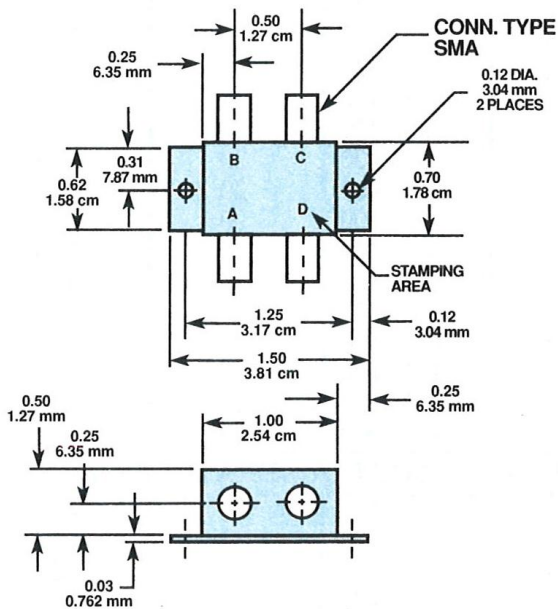
- 10 to 1000 MHz

PERFORMANCE

Frequency Range.....	10 – 1000 MHz
Coupling.....	20.25 ± 0.5 dB
Coupling Flatness.....	±0.5 dB max
Insertion Loss	0.75 dB max
Directivity.....	20 dB min
VSWR.....	1.25:1 max
Impedance.....	50 Ohms
Power Handling	3 Watts max.
Operating Temperature Range.....	-54 to +85° C



MECHANICAL OUTLINE



FUNCTIONAL SCHEMATIC

