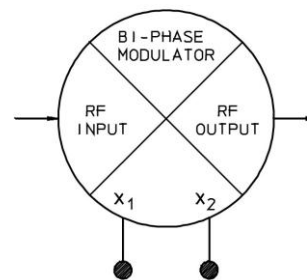


Biphase Modulator - BPLM-2-8185 SQ

TECHNICAL FEATURE

FEATURES

- Space Qualified
- High Accuracy
- Hi-Rel Hermetic Flatpack



PERFORMANCE

RF Frequency.....8185 ± 300 MHz
 Phase Balance180° ± 4° max.
 Amplitude Balance0.75 dB max.
 Insertion Loss..... 6 dB max.
 VSWR RF/LO1.5:1 max.
 Carrier Suppression.....-25 dBc min.

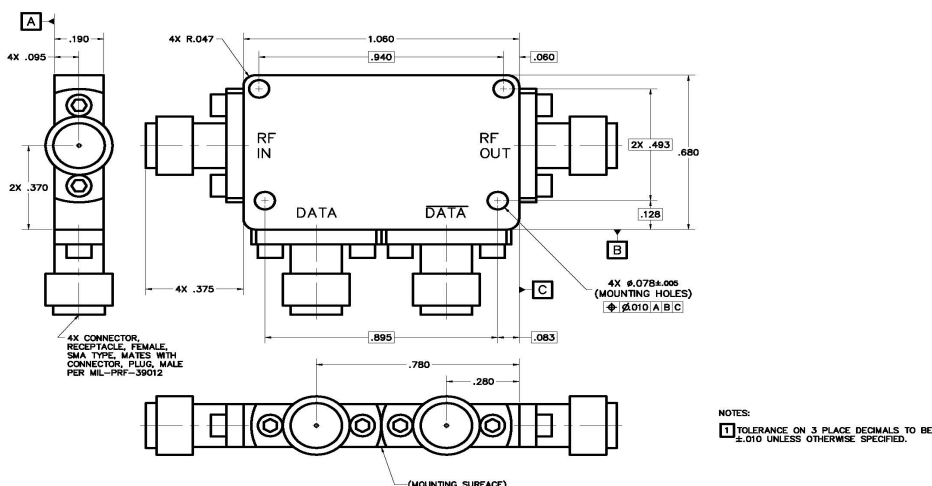
GENERAL SPECIFICATIONS

Impedance.....50 Ohm
 RF Input Level.....10dBm max.
 Switching Speed 2 nS Typ.
 Data Levels:
 Logic 1: +4.5 mA
 Logic 0: -4.5 mA
 Operating Temperature -55° to +85° C
 Weight..... 0.39 oz (11G) max.

DESCRIPTION

This unit has been designed, manufactured and qualified per Merrimac document CENG-0001, "Standard Design Requirements for Space Qualified Devices".

PACKAGE OUTLINE



Crane Aerospace & Electronics
 Microwave Solutions – Merrimac Industries
 41 Fairfield Place, West Caldwell, NJ 07006
 + 1.973.575.1300 ext. 1309 • mw@crane-eg.com
 www.craneae.com/mw

BPLM-2-8185 SQ

