

PDN-20 SERIES – 0° POWER DIVIDERS/COMBINERS

TECHNICAL FEATURE

FEATURES

- 10 to 1000 MHz
- 2-way
- Uniform Phase & Amplitude Balance
- Low Insertion Loss
- N-Type Connector

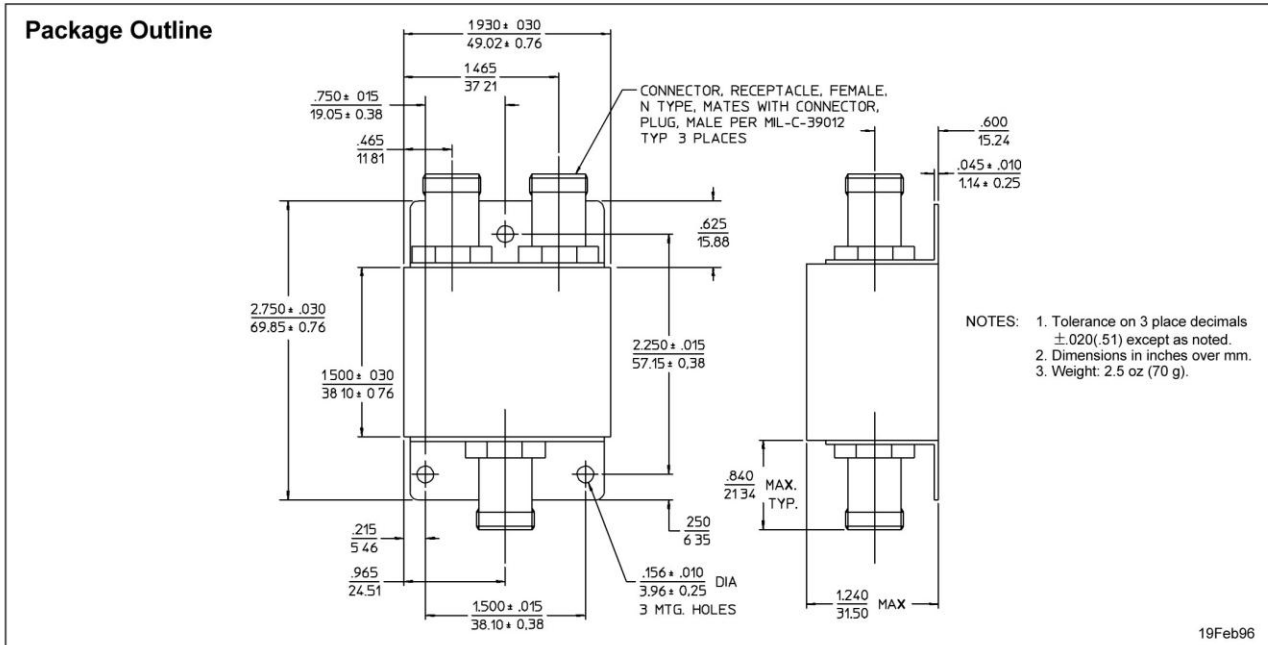
PRINCIPAL SPECIFICATIONS												
Model Number	Frequency Range, MHz	Isolation, dB		Insertion Loss, dB		Phase Balance		Amplitude Balance, dB		VSWR, (In/Output)		†Input Power, Max.
		Min.	Typ.	Max.	Typ.	Max.	Typ.	Max.	Typ.	Max.	Typ.	
PDN-20-250	10 - 500	30	32	0.7	0.5	2°	1°	0.2	0.1	1.3:1	1.2:1	3 W
PDN-20-500	5 - 1000	25	30	1.2	0.8	3°	2°	0.3	0.2	1.5:1	1.3:1	3 W

†CW input power when used as divider with 1.2:1 VSWR_{out}

General Notes:
 1. The PDN-20 series of 2-way In-Phase Power Dividers/Combiners covers 10 to 1000 MHz using a lumped element design for high isolation and uniform phase/amplitude balance in a conveniently sized, rugged package.

GENERAL SPECIFICATIONS

Coupling: – 3 dB nom.
 Impedance: 50 Ω nom.
 Internal Load Dissipation: 250 mW max.
 Weight, nominal: 5.6 oz. (160 g)
 Operating Temperature: – 55° to +85°C



Crane Aerospace & Electronics
 Microwave Solutions – Merrimac Industries
 41 Fairfield Place, West Caldwell, NJ 07006
 + 1.973.575.1300 ext. 1309 • mw@crane-eg.com
www.craneeae.com/mw



PDN20.doc. This revision supersedes all previous releases. All technical information is believed to be accurate, but no responsibility is assumed for errors. We reserve the right to make changes in products or specifications without notice. Copyright © 2013 Crane Electronics, Inc. All rights reserved.