

P-110, P-149 & PDT-20-50 – 0° POWER DIVIDERS/COMBINERS

TECHNICAL FEATURE

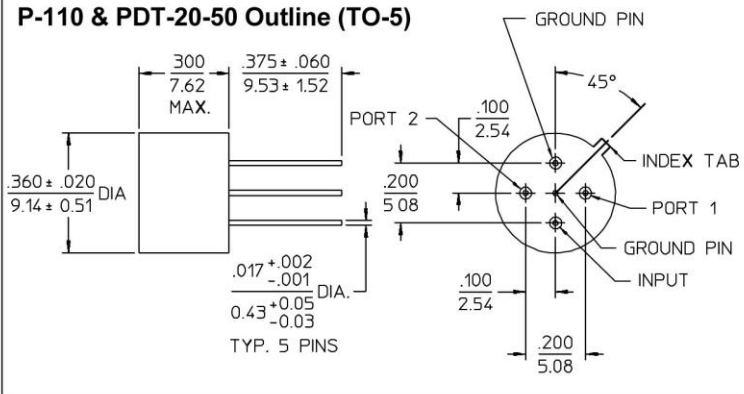
FEATURES

- 1 to 500 MHz
- 0.1 dB Balance Typical
- 2-way
- Low Insertion Loss
- High Isolation

PRINCIPAL SPECIFICATIONS

Model Number	Freq. Range, MHz	Frequency Performance, MHz	Isolation, dB		Insertion Loss, dB		Phase Balance, °		Amplitude Balance, dB		VSWR (In/Output)		Internal Load Rating
			Min.	Typ.	Max.	Typ.	Max.	Typ.	Max.	Typ.	Max.	Typ.	
PDT-20-50	1 - 100	1 - 100	30	33	0.5	0.25	2°	1°	0.2	0.1	1.3:1	1.10:1	50 mW
P-110	5 - 500	5 - 500	20	25	1.0	0.7	2°	1°	0.2	0.1	1.5:1	1.25:1	50 mW
		20 - 200	25	32	0.6	0.3	2°	1°	0.2	0.1	1.3:1	1.10:1	
P-149	5 - 500	5 - 500	20	25	1.0	0.7	2°	1°	0.2	0.1	1.5:1	1.25:1	125 mW
		20 - 200	25	32	0.6	0.3	2°	1°	0.2	0.1	1.3:1	1.10:1	

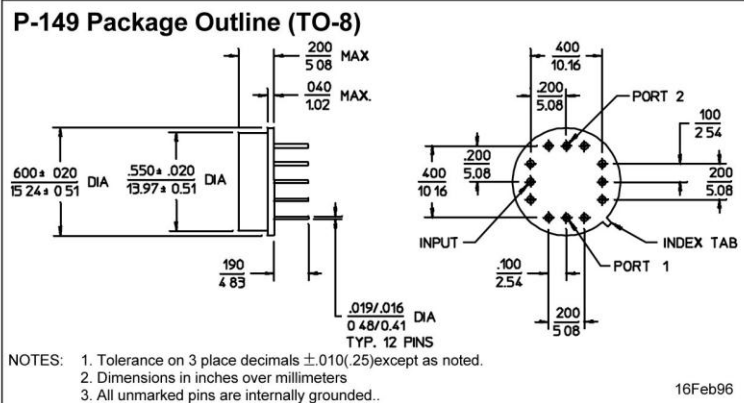
P-110 & PDT-20-50 Outline (TO-5)



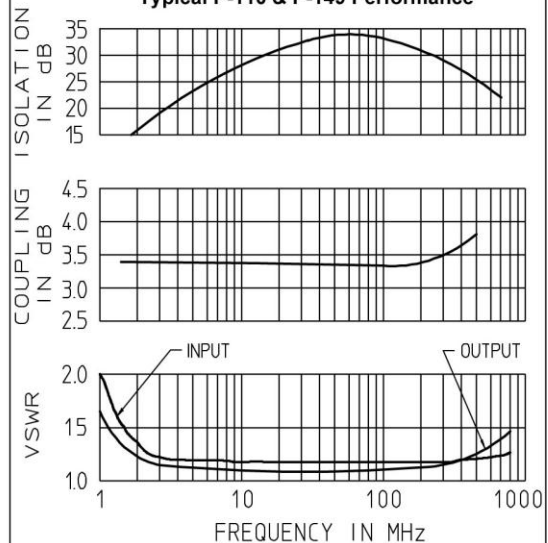
GENERAL SPECIFICATIONS

Impedance: 50 Ω nom.
 CW Input Power: 1 W max.
 (When used as divider with 1.2:1 VSWR_{out})
 Weight, nominal: TO-5: 0.1 oz. (2.8 g)
 TO-8: 0.14 oz. (4 g)
 Operating Temp. Range: -55° to +85°C

P-149 Package Outline (TO-8)



Typical P-110 & P-149 Performance



Crane Aerospace & Electronics

Microwave Solutions – Merrimac Industries
 41 Fairfield Place, West Caldwell, NJ 07006
 + 1.973.575.1300 ext. 1309 • mw@crane-eg.com
www.craneae.com/mw

