

J4-30002/30003/30004 QUADRATURE HYBRIDS

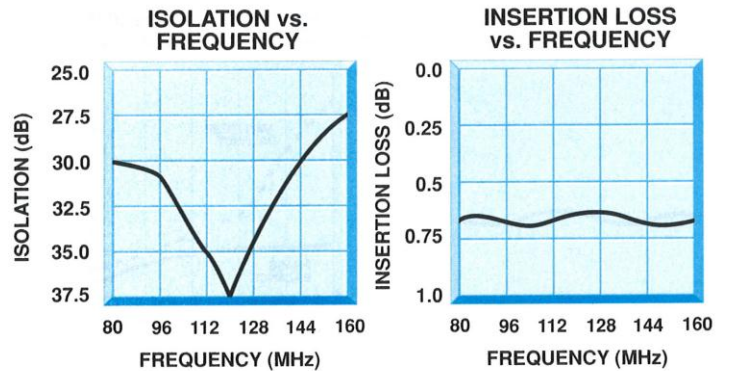
TECHNICAL FEATURE

FEATURES

- 80 to 160 MHz

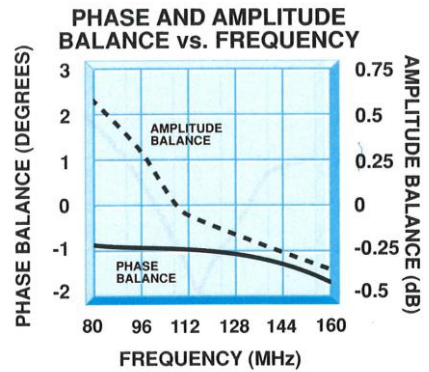
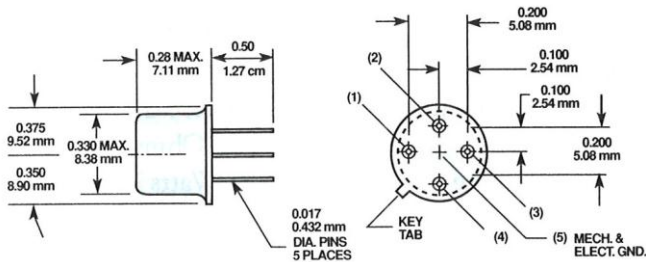
PERFORMANCE

Frequency Range.....	80 - 160 MHz
Isolation.....	25 dB min
Insertion Loss	0.75 dB max
VSWR.....	1.3:1 max
Phase Balance	$\pm 4^\circ$ max
Amplitude Balance	± 0.75 dB max
Impedance.....	50 Ohms
Power Handling	3 Watts max
Operating Temperature Range.....	-54 to +85° C



MECHANICAL OUTLINE

J4-30002



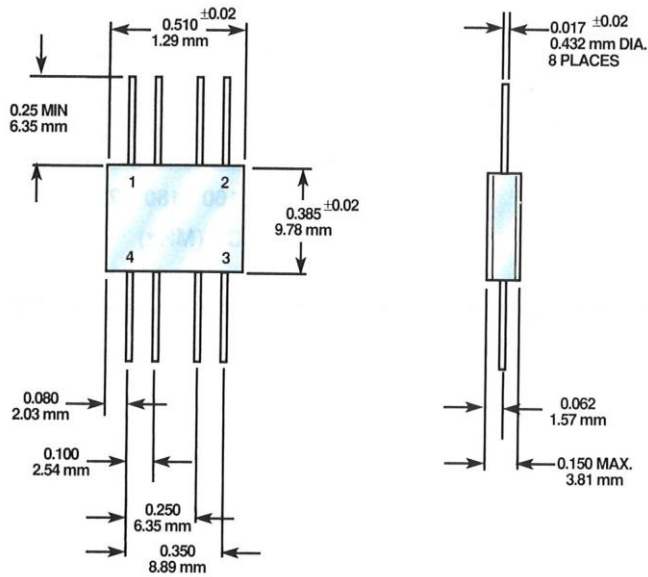
TRUTH TABLE

OUT \ IN	1	2	3	4
1	X	ISOL	0°	-90°
2	ISOL	X	-90°	0°
3	0°	-90°	X	ISOL
4	-90°	0°	ISOL	X

J4-30002/30003/30004 QUADRATURE HYBRIDS

MECHANICAL OUTLINE

J4-30003



J4-30004

