

# HJ-52004 2-WAY 0° POWER DIVIDERS

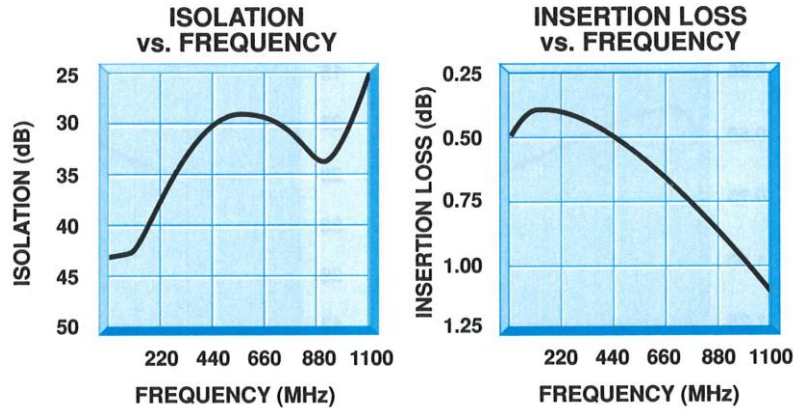
## TECHNICAL FEATURE

### FEATURES

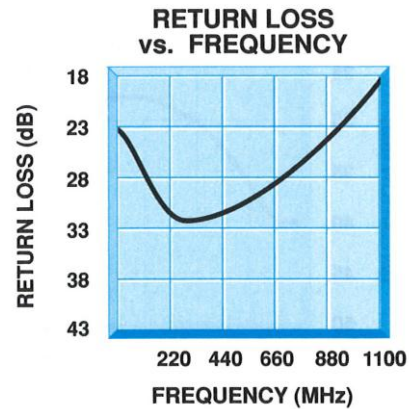
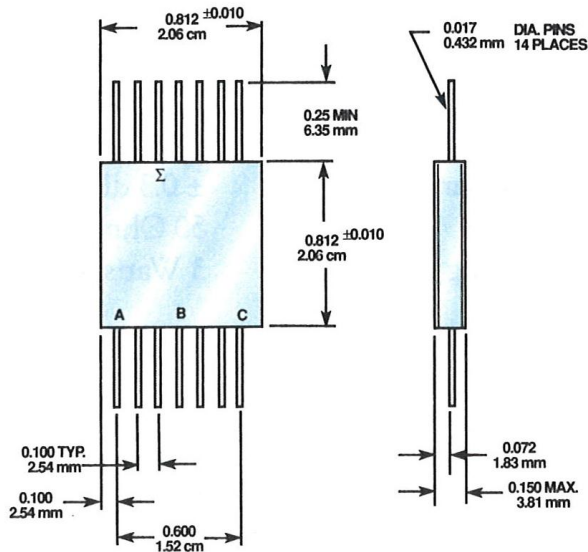
- 30 to 1000 MHz

### PERFORMANCE

Frequency Range.....	30 – 1000 MHz
Isolation.....	25 dB min
Insertion Loss .....	1.25 dB max
VSWR.....	1.4:1 max
Phase Balance .....	±3° max
Amplitude Balance .....	±0.3 dB max
Impedance.....	50 Ohms
Power Handling .....	3 Watts max
Operating Temperature Range.....	-54 to +85° C



### MECHANICAL OUTLINE



### FUNCTIONAL SCHEMATIC

