

# D4-40006/40007/40008 10 dB BI-DIRECTIONAL COUPLERS

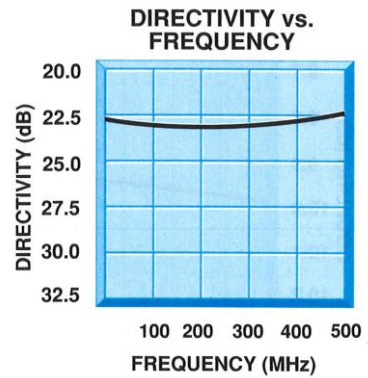
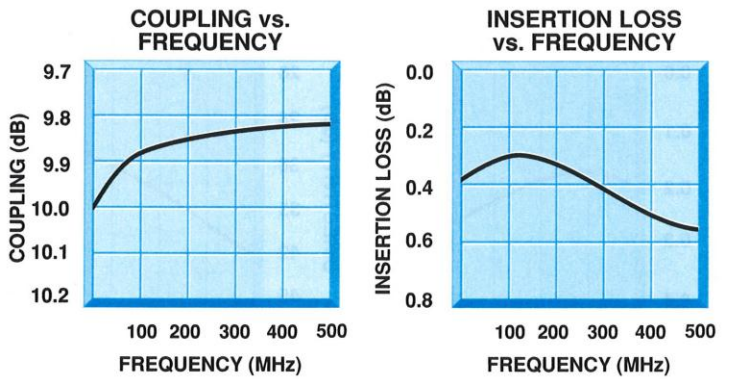
## TECHNICAL FEATURE

### FEATURES

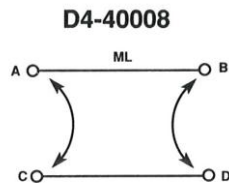
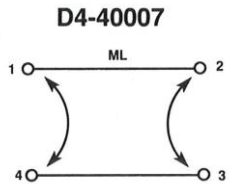
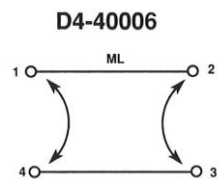
- 10 to 500 MHz

### PERFORMANCE

Frequency Range.....	10 - 500 MHz
Coupling.....	10 ± 0.3 dB
Coupling Flatness.....	±0.3 dB max
Insertion Loss .....	0.5 dB max
Directivity.....	20 dB min
VSWR.....	1.2:1 max
Impedance.....	50 Ohms
Power Handling .....	3 Watts max
Operating Temperature Range.....	-54 to +85° C

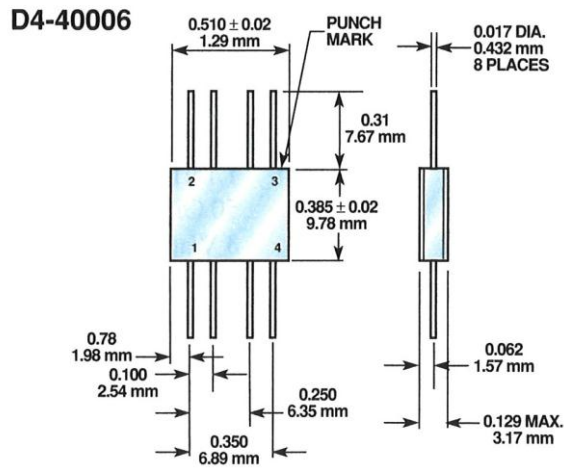


### FUNCTIONAL SCHEMATIC

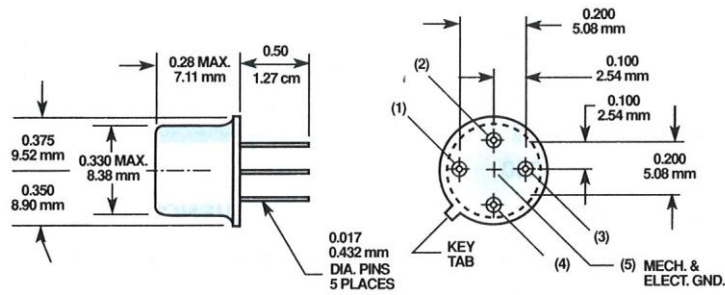


# D4-40006/40007/40008 10 dB BI-DIRECTIONAL COUPLERS

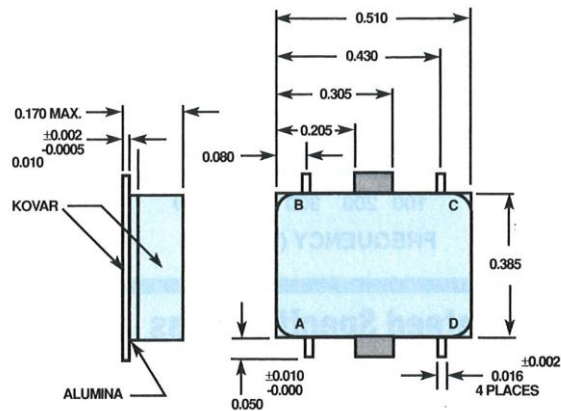
## MECHANICAL OUTLINE



**D4-40007**



**D4-40008**



# D4-40006/40007/40008 10 dB BI-DIRECTIONAL COUPLERS