

D3-50001 20 dB DIRECTIONAL COUPLERS

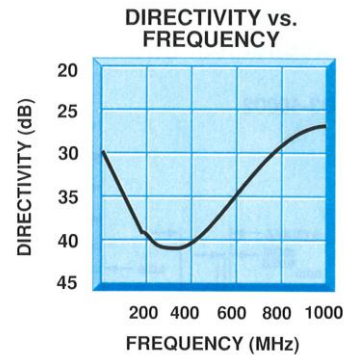
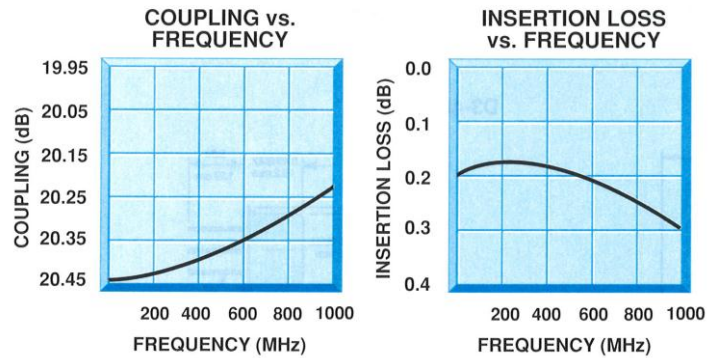
TECHNICAL FEATURE

FEATURES

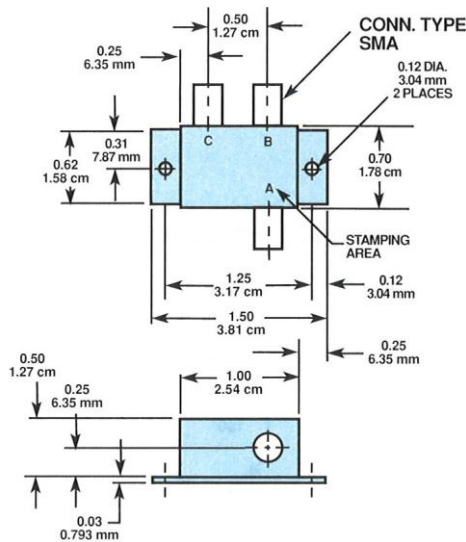
- 10 - 1000 MHz

PERFORMANCE

Frequency Range.....	10 - 1000 MHz
Coupling.....	20.25 ± 0.35 dB
Coupling Flatness.....	±0.35 dB max
Insertion Loss	0.5 dB max
Directivity.....	20 dB min
VSWR.....	1.2:1 max
Impedance.....	50 Ohms
Power Handling	3 Watts max
Operating Temperature Range.....	-54 to +85° C



MECHANICAL OUTLINE



FUNCTIONAL SCHEMATIC

