

D3-40006 15 dB DIRECTIONAL COUPLERS

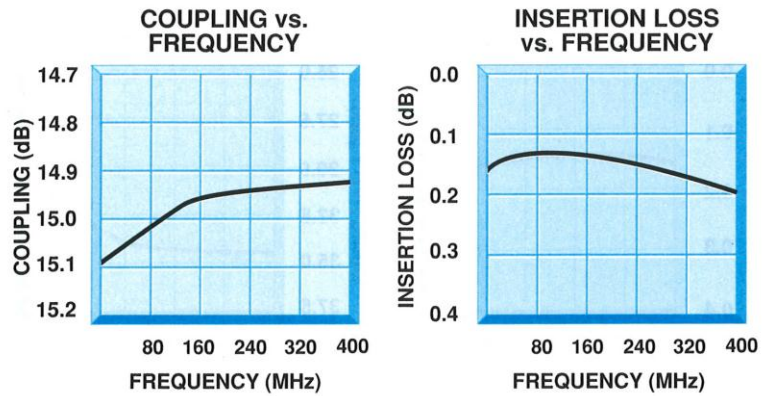
TECHNICAL FEATURE

FEATURES

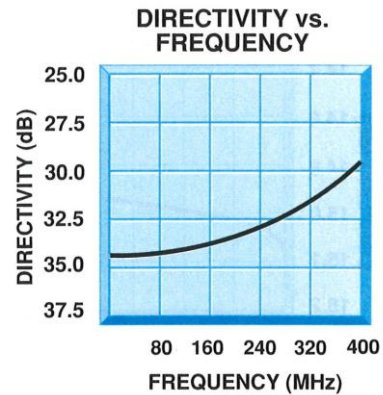
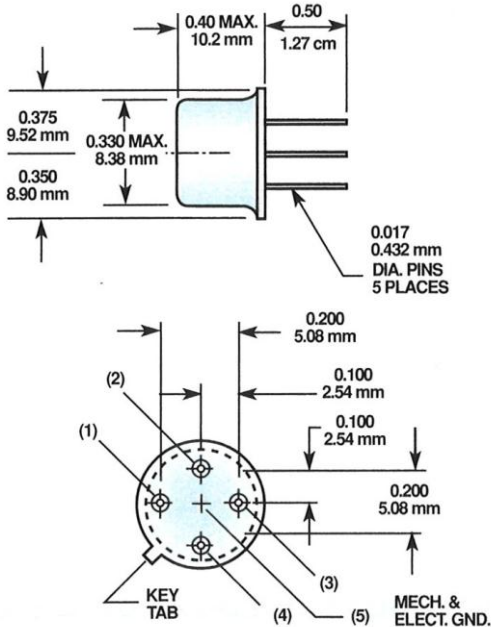
- 10 - 400 MHz

PERFORMANCE

Frequency Range.....	10 - 400 MHz
Coupling.....	15 ± 0.3 dB
Coupling Flatness.....	±0.20 dB max
Insertion Loss	0.35 dB max
Directivity.....	25 dB min
VSWR.....	1.2:1 max
Impedance.....	50 Ohms
Power Handling	3 Watts max
Operating Temperature Range.....	-54 to +85° C



MECHANICAL OUTLINE



FUNCTIONAL SCHEMATIC

