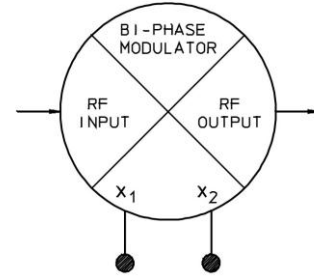


# BPP-2N SERIES, BIPHASE MODULATORS

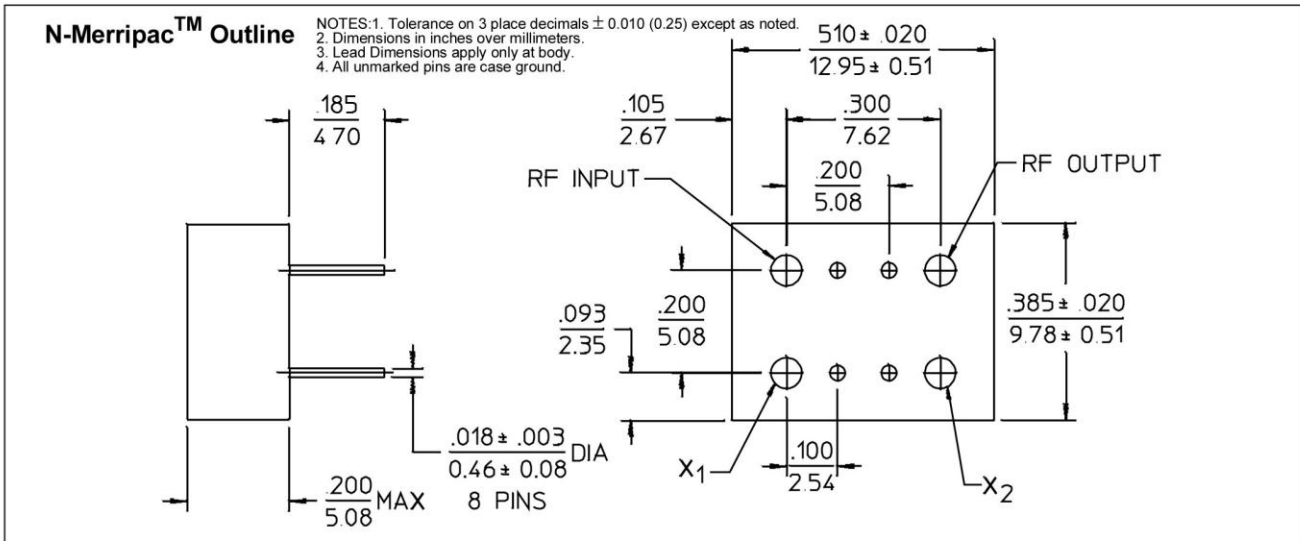
## TECHNICAL FEATURE

### FEATURES

- 10 - 2000 MHz
- ECL & TTL Compatible
- Fast Switching
- Hi-Rel Hermetic Package



<b>PRINCIPAL SPECIFICATIONS</b>								
Model Number	Frequency Range, MHz	Insertion Loss, dB		Amplitude Balance, dB		Phase Balance		Carrier Suppression, Typ.
		Max.	Typ.	Max.	Typ.	Max.	Typ.	
BPP-2N-500	10 – 500	3	2	0.3	0.20	± 3°	± 1°	– 40 dBc
	500 – 1000	4	3	0.5	0.20	± 4°	± 2°	– 35 dBc
BPP-2N-1500	1000 – 2000	6	5	0.75	0.25	± 5°	± 2°	– 30 dBc



**General Notes:**

1. The BPP-2N series of Biphase Modulators covers the frequency range of 10 to 2000 MHz with sub-nanosecond switching times in the higher frequency units.
2. Customized versions are available for special frequency bands matched to your special applications.
3. The BPP-2N series can be driven directly by either TTL or ECL drivers. Most units are available in a variety of alternative packages such as the TO-8, flatpack or connectorized packages. TTL or ECL drivers may be included in the larger packages.
4. All units comply with applicable sections of MIL-M-28837 and may be supplied screened for compliance with additional specifications for military and space applications requiring the highest reliability.

24May96

<b>GENERAL SPECIFICATIONS</b>	
Impedance:	50 Ω nom.
RF Input Level:	– 3 dBm max.
VSWR:	2.0:1 max.
Switching Speed:	2 nS typ.
Data Levels:	Logic 1: +15 mA Logic 0: – 15 mA
Weight, nominal:	0.1 oz (2.8 g)
Operating Temperature:	– 55° to +85°C

