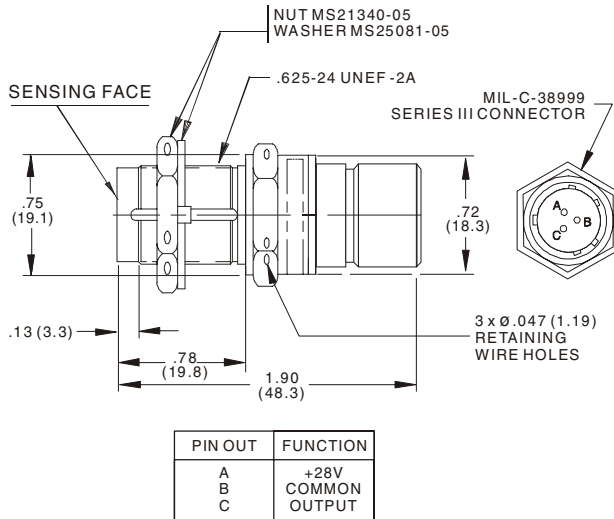


# MODEL 80-057

## ALL-METAL HERMETICALLY SEALED PROXIMITY SWITCH Ferrous-Metal Sensing, Sinking Output



### Electrical Characteristics

Type:	Integral Electronics, One-Piece Switch
Output Configuration:	Transistor Switch to Common
Output Load:	250 mA Resistive
Input Voltage:	18-32 Vdc per MIL-STD-704C
Input Current:	10 mA
Guaranteed Actuation:	.100" from Sensing Face (with Standard Target)
Guaranteed Deactuation:	.150" from Sensing Face (with Standard Target)

### Environmental Characteristics

Hermetically sealed and qualified to RTCA DO-160 B/C; Temperature -55°C to 125 °C.

### Additional Information

For more detailed specifications, options, price quotes or applications information, contact: ELDEC Corporation, P.O. Box 97027, Lynnwood, Washington U.S.A. 98046-9727  
 PHONE: (425) 743-1313 • FAX: (425) 743-8234 • TWX: 910-449-2855  
 or ELDEC France, 18, Rue du 35 eme Regiment d'Aviation, 69500 BRON - FRANCE  
 PHONE: (33) 478.26.10.10 • FAX: (33) 472.37.72.30  
 www.craneaerospace.com  
 Copyright © Jun 2003 ELDEC Corporation

### Physical Characteristics

Size:	As shown
Weight:	40 Grams (not including connector mating half)
Connector:	MIL-C-38999, Series III Mates with D38999/26FA98SN
Mounting:	Threaded Barrel (as shown)
Construction:	Stainless steel barrel and sensing face

### Applications & Features

Landing Gear/Undercarriage, Weight-On-Wheels, Doors, High-Lift Systems, Thrust Reversers

### Notes:

The 80-057 can detect ferrous metal only. Aluminum or copper can cause switch deactuation and can therefore serve as an anti-target provided certain spacing limitations are observed. Please contact Crane for specific application information.



ELDEC Corporation  
A Crane Co. Company