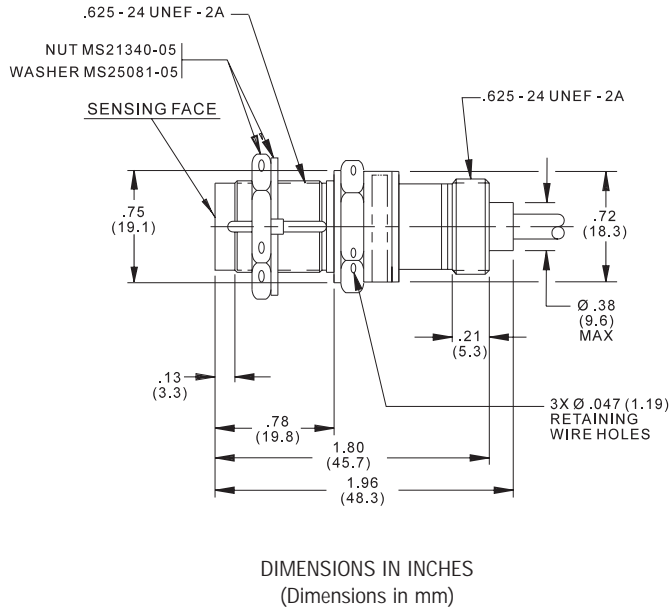


MODEL 8-644

HERMETICALLY SEALED PROXIMITY SWITCH

All-Metal Sensing, Sinking Output



Electrical Characteristics

Type:	Integral Electronics, One-Piece Switch
Output Configuration:	Transistor Switch to Common
Output Load:	250 mA Resistive
Input Voltage:	18-32 Vdc Per MIL-STD-704C
Input Current:	10 mA
Guaranteed Actuation:	.100" from Sensing Face (with Standard Target)
Guaranteed Deactuation:	.150" from Sensing Face (with Standard Target)

Environmental Characteristics

Hermetically sealed and qualified to RTCA DO-160 B/C;
Temperature -55°C to 125°C.

Programs

Fokker F100
GE CF6-50
Saab JAS-39

Additional Information

For more detailed specifications, options, price quotes or applications information, contact: ELDEC Corporation, P.O. Box 97027, Lynnwood, Washington U.S.A. 98046-9727

PHONE: (425) 743-1313 · FAX: (425) 743-8234 · TWX: 910-449-2855

or ELDEC France, 18, Rue du 35 eme Regiment d'Aviation,

F- 69500 BRON - FRANCE

PHONE: (33) 478.26.10.10 · FAX: (33) 472.37.72.30

Copyright © Jul 1998 ELDEC Corporation
Printed in U.S.A.

Physical Characteristics

Size:	As shown
Weight:	35 Grams (not including cable)
Electrical Connection:	Shielded Cable, PTFE Jacket 3 Conductor x 20 AWG, 80 in. min.
Mounting:	Threaded Barrel (as shown)
Construction:	Stainless Steel Barrel

Applications

Landing Gear/Undercarriage, Doors, Leading Edge Devices,
Thrust Reversers

Notes:

The 8-644 can detect all metals including aluminum although gap variation exists depending on the target material sensed.



ELDEC CORPORATION
A CRANE CO. COMPANY