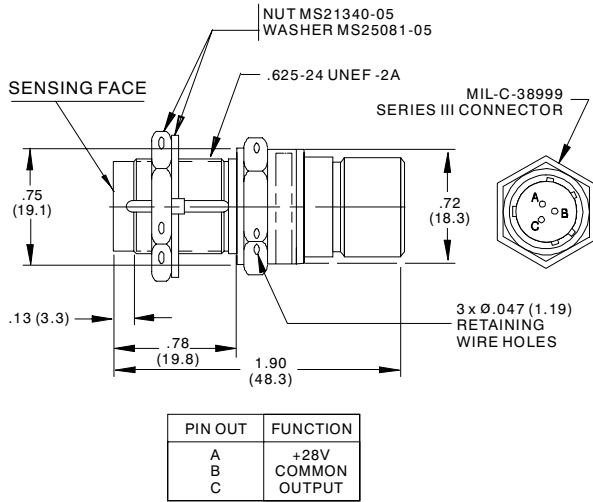


MODEL 8-527

HERMETICALLY SEALED PROXIMITY SWITCH

All-Metal Sensing, Sinking Output



DIMENSIONS IN INCHES
(Dimensions in mm)



Electrical Characteristics

Type: Integral Electronics, One-Piece Switch

Output Configuration: Transistor Switch to Common

Output Load: 250 mA Resistive

Input Voltage: 18-32 Vdc per MIL-STD-704C

Input Current: 10 mA

Guaranteed Actuation: .100" from Sensing Face (with Standard Target)

Guaranteed Deactuation: .150" from Sensing Face (with Standard Target)

Programs

Bell Helicopter Model 407
Boeing 767, 747-400, MD-90
Boeing Helicopters MD900
Embraer EMB-135, EMB-145
IAE V2500
Raytheon JPATS

Additional Information

For more detailed specifications, options, price quotes or applications information, contact: ELDEC Corporation, P.O. Box 97027, Lynnwood, Washington U.S.A. 98046-9727

PHONE: (425) 743-1313 · FAX: (425) 743-8234 · TWX: 910-449-2855
or ELDEC France, 18, Rue du 35 eme Regiment d'Aviation,
F- 69500 BRON - FRANCE
PHONE: (33) 478.26.10.10 · FAX: (33) 472.37.72.30

Environmental Characteristics

Hermetically sealed and qualified to RTCA DO-160 B/C;
Temperature -55°C to 125°C.

Physical Characteristics

Size: As shown

Weight: 35 Grams (not including connector mating half)

Connector: MIL-C-38999, Series III
Mates with D38999/26FA98SN

Mounting: Threaded Barrel (as shown)

Construction: Stainless Steel Barrel

Applications

Landing Gear/Undercarriage, Doors, Leading Edge Devices,
Thrust Reversers

Notes:

The 8-527 can detect all metals including aluminum although gap variation exists depending on the target material sensed.



ELDEC CORPORATION
A CRANE CO. COMPANY