

# SSB-60 – SSB-490 SINGLE SIDEBAND MODULATORS

## TECHNICAL FEATURE

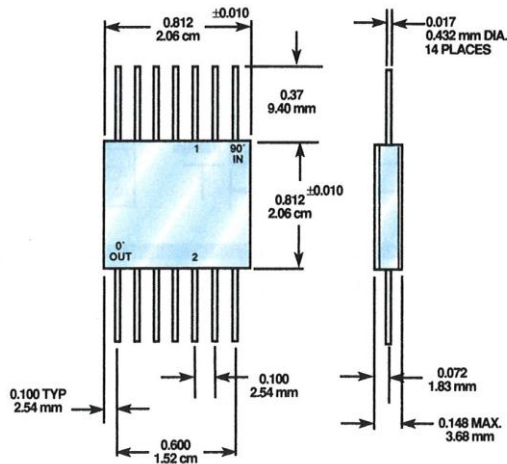
### PERFORMANCE

RF Level (DBM) .....	+10
Modulation Level 2 Signals in Quadrature Phase (DBM).....	0
Modulation Frequency .....	0 to 5 MHz
Carrier & Sideband Suppression Below Output .....	-30 dB
Conversion Loss .....	10 dB max
Operating Temperature Range .....	-54 to +85° C

### PRODUCT SELECTION GUIDE

Part No.	Frequency Range (MHz)
SSB-60	43 to 82 MHz
SSB-70	50 to 90 MHz
SSB-150	135 to 165 MHz
SSB-325	250 to 450 MHz
SSB-425	400 to 450 MHz
SSB-490	460 to 540 MHz

## MECHANICAL OUTLINE



All unmarked pins are grounded.

## FUNCTIONAL SCHEMATIC

