

QHS-2 SERIES – 90° POWER DIVIDERS/COMBINERS

TECHNICAL FEATURE

FEATURES

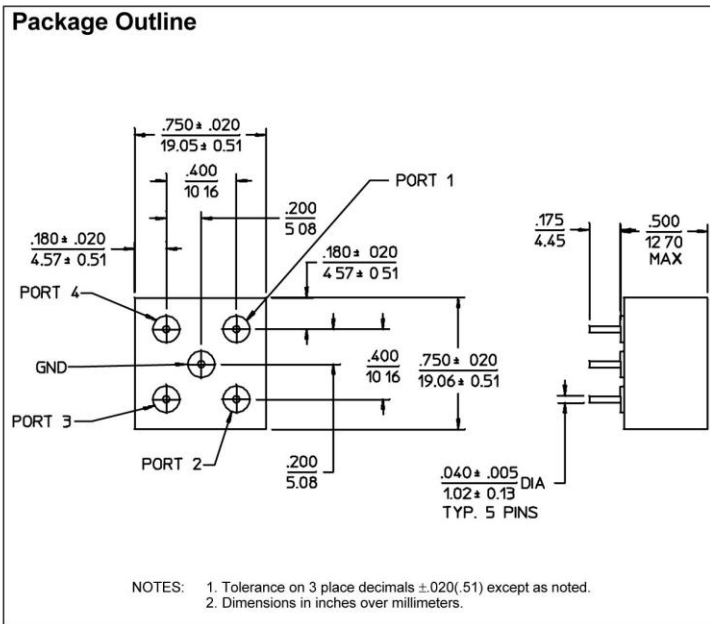
- 1 to 200 MHz
- 10% Bandwidth Standard
- Low Insertion Loss
- High Isolation
- PC Mounting Package

Phasing Diagram - A				
	1	2	3	4
1		ref.	- 90°	Isol.
2	ref.		Isol.	- 90°
3	- 90°	Isol.		ref.
4	Isol.	- 90°	ref.	

<u>PRINCIPAL SPECIFICATIONS</u>		
Model Number	Center Frequency, f_0	Usable Bandwidth, MHz
QHS-2-60	60 MHz	57 - 63
QHS-2-***B	1 to 200 MHz	$f_0 \pm 5\%$

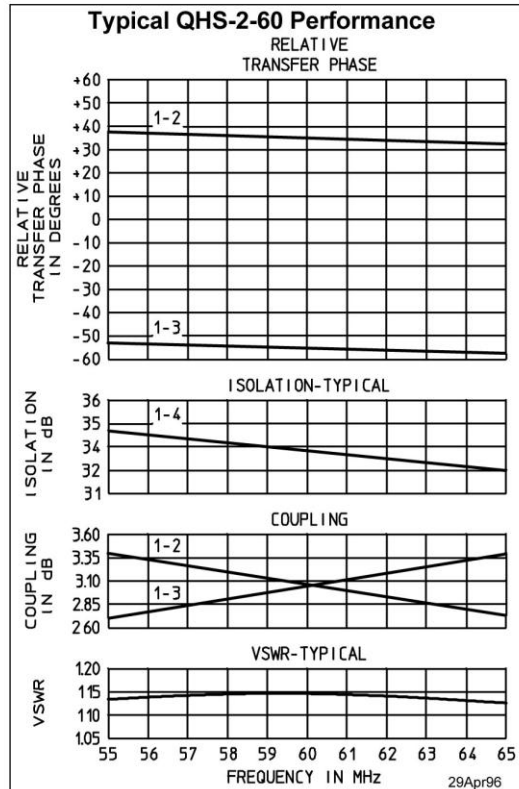
For complete Model Number replace ***with desired Center Frequency, f_0 in MHz.

<u>GENERAL SPECIFICATIONS</u>	
Coupling:	- 3 dB nom.
Isolation:	25 dB min.
Insertion Loss:	0.3 dB max.
Phase Tolerance:	$90^\circ \pm 3^\circ$ max.
Amplitude Balance:	0.6 dB max
Impedance:	50 Ω nom.
VSWR:	1.3:1 max.
CW Input:	1 Watt max.
Weight, nominal:	0.65 oz (18 g)
Operating Temperature:	- 55° to +85°C



General Notes:

1. The QHS-2 series of 3 dB Quadrature Hybrids covers 1 to 200 MHz using a special lumped element design to reduce the size making it ideal for applications where high performance and PC packaging are required.



Crane Aerospace & Electronics
 Microwave Solutions – Merrimac Industries
 41 Fairfield Place, West Caldwell, NJ 07006
 + 1.973.575.1300 ext. 1309 • mw@crane-eg.com
www.craneeae.com/mw



QHS-2.doc. This revision supersedes all previous releases. All technical information is believed to be accurate, but no responsibility is assumed for errors. We reserve the right to make changes in products or specifications without notice. Copyright © 2013 Crane Electronics, Inc. All rights reserved.