

QHF-2A SERIES – 90° POWER DIVIDERS/COMBINERS

TECHNICAL FEATURE

FEATURES

- 1 to 1000 MHz
- 10% Bandwidth Standard
- Low Insertion Loss
- Low Profile Hermetic Package

<u>PRINCIPAL SPECIFICATIONS</u>								
Model Number	Center Frequency, f_0 , MHz	Usable Bandwidth, MHz	Isolation, dB, Min.	Insertion Loss, dB, Max.	Phase Tolerance, Max.	Amplitude Balance, dB, Max.	VSWR, Max.	CW Input*, W
QHF-2A-60	60	57 - 63	23	0.3	$90^\circ \pm 2^\circ$	0.75 dB	1.3:1	1
QHF-2A-***B	1 - 1000 MHz	$f_0 \pm 5\%$	23	0.3	$90^\circ \pm 2^\circ$	0.75 dB	1.3:1	1

For complete Model Number replace *** with desired Center Frequency, f_0 in MHz. *CW input power with 1.2:1 VSWR_{out}

General Notes:

1. The QHF-2A series of Quadrature Hybrids covers 1 MHz to 1000 MHz using special lumped element circuits to minimize parts count and size for applications requiring an ultra-miniature package. High performance is achieved in the 0.385" by 0.5" flatpack housing that is ideally suited to aerospace applications where inherent package reliability and hermeticity are essential.

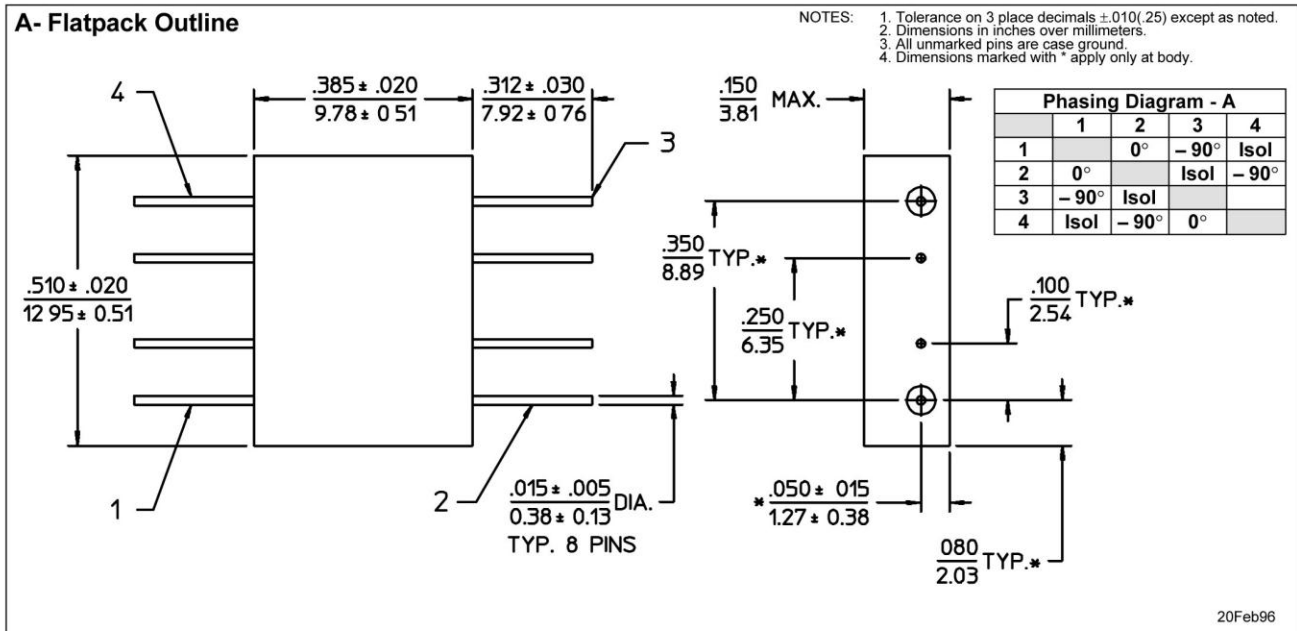
GENERAL SPECIFICATIONS

Coupling: – 3 dB nom.

Weight: 0.1 oz (2.8g) nom.

Impedance: 50 Ω nom.

Operating Temperature: – 55° to +85°C



Crane Aerospace & Electronics
 Microwave Solutions – Merrimac Industries
 41 Fairfield Place, West Caldwell, NJ 07006
 + 1.973.575.1300 ext. 1309 • mw@crane-eg.com
www.craneeae.com/mw



QHF2A.doc. This revision supersedes all previous releases. All technical information is believed to be accurate, but no responsibility is assumed for errors. We reserve the right to make changes in products or specifications without notice. Copyright © 2013 Crane Electronics, Inc. All rights reserved.