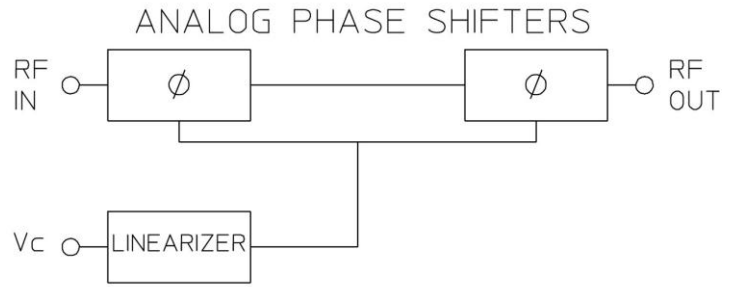


PLB & PLM SERIES – PHASE SHIFTERS

TECHNICAL FEATURE

FEATURES

- 10 to 500 MHz
- 0° to 180° Coverage
- 10% Bandwidth
- Voltage Controlled
- SMA or BNC

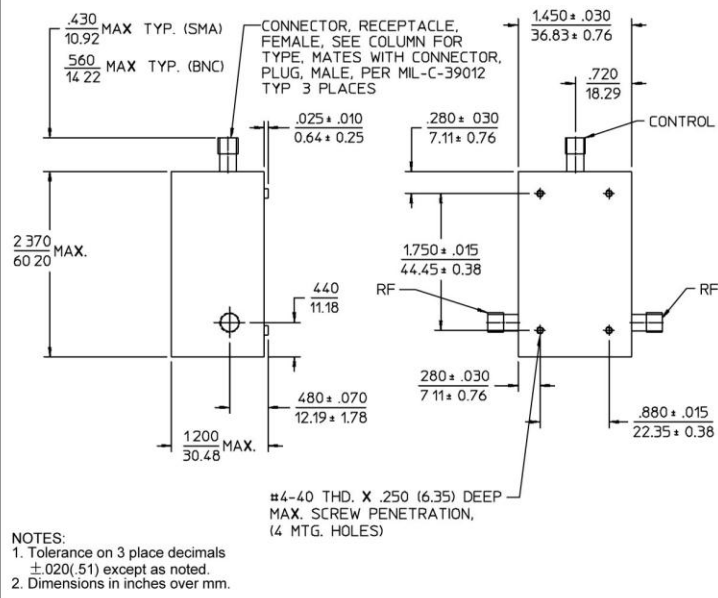


PRINCIPAL SPECIFICATIONS

SMA Model Number	BNC Model Number	Center Freq, f_0 , Range, MHz	Phase Shift @ f_0	Linearity @ f_0	Percent AM	Insertion Loss, dB, Max.	F_0 VSWR Max.	Weight oz (g)
PLM-3B-***B	PLB-3B-***B	10 to 500	180°	5%	5%	2	1.5:1	3.4 (95)

For complete Model Number replace *** with desired center frequency, f_0 in MHz.

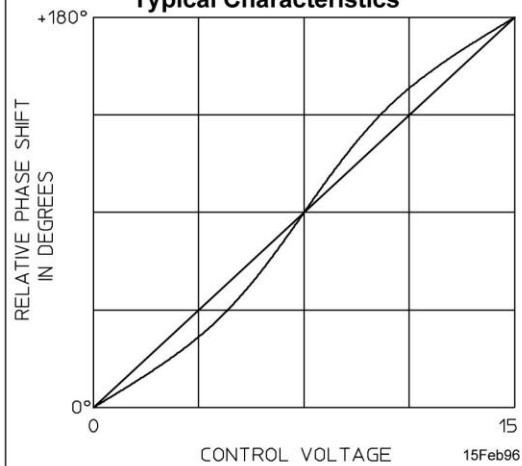
Package Outline



GENERAL SPECIFICATIONS

- Bandwidth: 10% of f_0
- Modulation Rate: 1% of f_0 nom.
- Impedance: 50 Ω nom.
- Input Power: -10 dBm max.
- Control Voltage for full range: 0 to +15 V max.
- Response Time (50 Ω source): 50 μ s max.
- Phase Stability, typical: 0.2° per °C
- Operating Temperature: -55° to +85°C

Typical Characteristics



General Notes:

1. The PLB & PLM series use a control voltage of 0 to +15V to vary relative phase across a 180° range.
2. Each phase shifter element employs quadrature hybrids with matched pairs of varactor tuned LC networks acting as sliding short circuits on the outputs. The electrical length of this short circuit controls the delay in the reflected signal appearing at the isolated port of each quadrature hybrid.
3. These units are suitable for high reliability and space applications.

Crane Aerospace & Electronics

Microwave Solutions – Merrimac Industries
 41 Fairfield Place, West Caldwell, NJ 07006
 + 1.973.575.1300 ext. 1309 • mw@crane-eg.com
www.craneeae.com/mw

PLMPLB.doc. This revision supersedes all previous releases. All technical information is believed to be accurate, but no responsibility is assumed for errors. We reserve the right to make changes in products or specifications without notice. Copyright © 2013 Crane Electronics, Inc. All rights reserved.

