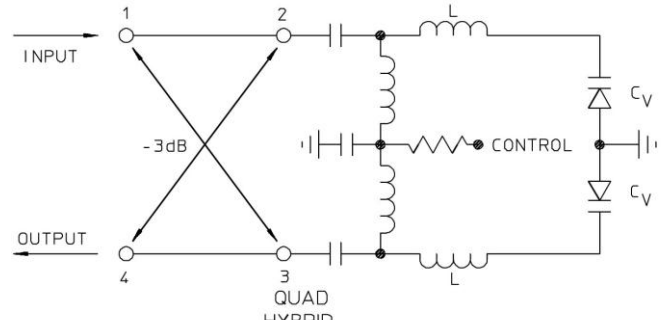


PEG-3E SERIES – PHASE SHIFTERS

TECHNICAL FEATURE

FEATURES

- Units to 500 MHz
- Continuous 0° to 180° Adjustment
- Voltage Controlled
- Low Insertion Loss



PRINCIPAL SPECIFICATIONS

Model Number	Center Frequency, f_0 , MHz	Bandwidth RF
PEG-3E-***B	25 - 500	10% of f_0

For complete Model Number replace *** with desired Center Frequency, f_0 in MHz.

General Notes:

1. The PEG-3E series of voltage controlled phase shifters uses a lumped element design for high performance in a space saving surface mount package.
2. Phase control is achieved by the application of a 0 - 15 Volt control signal which can be modulated at rates up to 1% of the RF center frequency. This signal varies the capacitance of two varactor diodes that form part of a tuned LC circuit connected across the output ports of a 90° quadrature hybrid. The change in the reactance causes a shift in the phase of an RF signal passed through the hybrid.
3. These Phase Shifters are designed for high reliability and can be supplied screened to meet military and space applications.

GENERAL SPECIFICATIONS

RF Characteristics

- Phase Shift Range: 180° min. @ f_0
- Insertion Loss: 1.75 dB max.
- Impedance: 50 Ω nom.
- VSWR: 1.6:1 max.
- Input Power: 0 dBm max.*

Control Characteristics

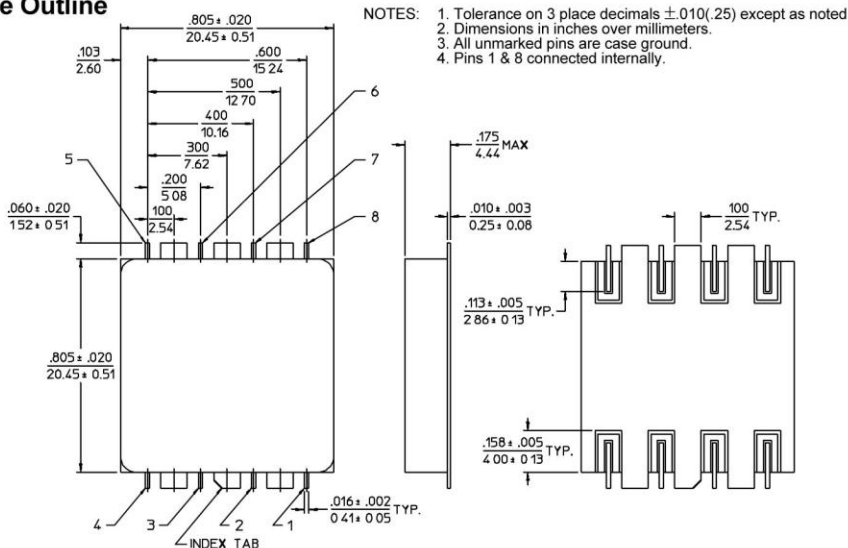
- Control Voltage: 0.5 to +15 V typ.
0.5 to +30 V max.
- Modulation Rate: 1% of f_0 max.

General Characteristics

- Phase Stability: 0.1°/°C
- Weight, nominal: 0.32 oz. (9 g)
- Operating Temp: -20° to +85°C

*Unit may be operated at +10 dBm in reduced control range of 1.5 - 15 V. (+30V no damage.)

E-Package Outline



PIN NO.	FUNCTION
1	Control
2	Ground
3	Ground
4	RF
5	RF
6	Ground
7	Ground
8	Control

29Apr96