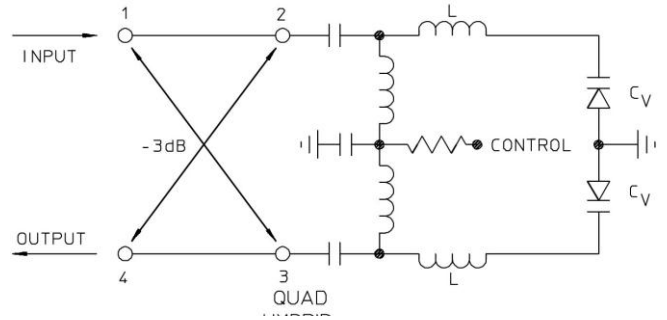


PEF-03A SERIES – PHASE SHIFTERS

TECHNICAL FEATURE

FEATURES

- 500 to 1500 MHz
- Continuous 0° to 180° Adjustment
- Voltage Controlled
- Low Insertion Loss



PRINCIPAL SPECIFICATIONS

Model Number	Center Frequency, f_0 , MHz	Bandwidth
PEF-03A-***B	500 – 1500	10% of f_0

For complete Model Number replace *** with desired Center Frequency, f_0 in MHz.

GENERAL SPECIFICATIONS

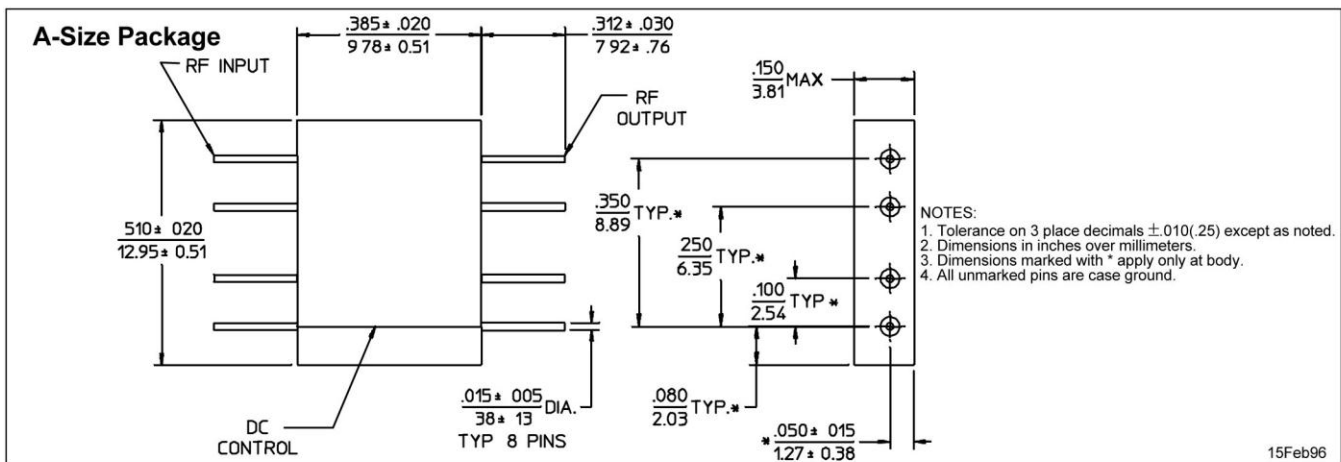
RF Characteristics	
Bandwidth:	10% min.
Phase Shift Range:	0 to 180° min.
Impedance:	50 Ω nom.
VSWR:	2.0:1 max.
RF Input Level:	0 dBm max.
Insertion Loss:	
1000 - 2000	3 dB max.
500 - 1000	2 dB max.
Control Characteristics	
Control Voltage	0 to +30 VDC
Modulation Rate:	DC to 1% f_0
General Characteristics	
Phase Stability:	0.2° per °C
Weight, nominal:	0.09 oz. (2.5 g)
Operating Temp:	-55° to +85°C

General Notes:

1. The PEF series of high frequency, voltage controlled phase shifters combines the latest microstrip and lumped element technologies to provide very high performance in a space saving package.
2. With a center frequency of up to 1500 MHz, these units extend the frequency range of the long established PSEF series which cover the 10 to 500 MHz band.
3. These phase shifters are suitable for systems requiring automatic phase control, closed loop networks and steering of electronically scanned antennas.
4. Merrimac Phase Shifters are designed for high reliability, and can be supplied screened to meet military and space applications.

AVAILABLE OPTIONS

Lower Frequencies:	Down to 10 MHz in PSEF series only.
RF Bandwidth:	Up to 20% of f_0
Control:	Negative polarity



Crane Aerospace & Electronics
 Microwave Solutions – Merrimac Industries
 41 Fairfield Place, West Caldwell, NJ 07006
 + 1.973.575.1300 ext. 1309 • mw@crane-eg.com
www.craneeae.com/mw

PEF03A.doc. This revision supersedes all previous releases. All technical information is believed to be accurate, but no responsibility is assumed for errors. We reserve the right to make changes in products or specifications without notice. Copyright © 2013 Crane Electronics, Inc. All rights reserved.

