

0° DIVIDERS/COMBINERS - PDM-21-1.5G SQ

TECHNICAL FEATURE

FEATURES

- Space Qualified
- 1 - 2 GHz
- 2 Way SMA



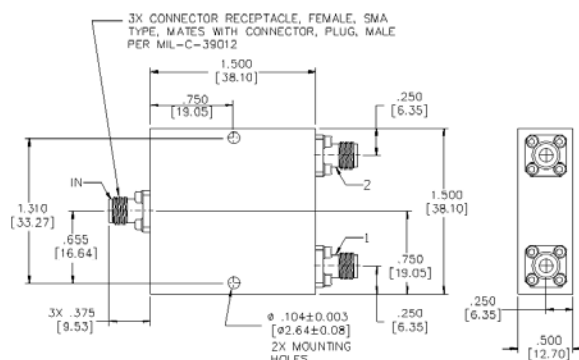
PERFORMANCE

Frequency Range.....	1 - 2 GHz
Isolation.....	22 min.
Insertion Loss.....	0.25 max. dB
Amplitude Balance.....	0.2 max. dB
Phase Balance.....	±3°
VSWR Input/Output.....	1.25:1 in, 1.20:1 out
CW Input with Load VSWR 1.2:1.....	2 W
Impedance.....	50 Ohm nom.
Operating Temperature.....	-55° to +85° C

DESCRIPTION

The PDM-21-1.5G SQ In-Phase Power Divider/Combiner covers 1 - 2 GHz. It uses a conventional Wilkinson design which provides high isolation and low VSWR. This device has been designed in accordance with Merrimac document CENG-0001, "Standard Design Requirements for Space Qualified Devices".

PACKAGE OUTLINE



NOTES:

1. TOLERANCE ON 3 PLACE DECIMALS ±.020 [.51mm] EXCEPT AS NOTED.
2. DIMENSIONS=INCHES [mm]