

PDM-38-10G – 0° POWER DIVIDERS/COMBINERS

TECHNICAL FEATURE

FEATURES

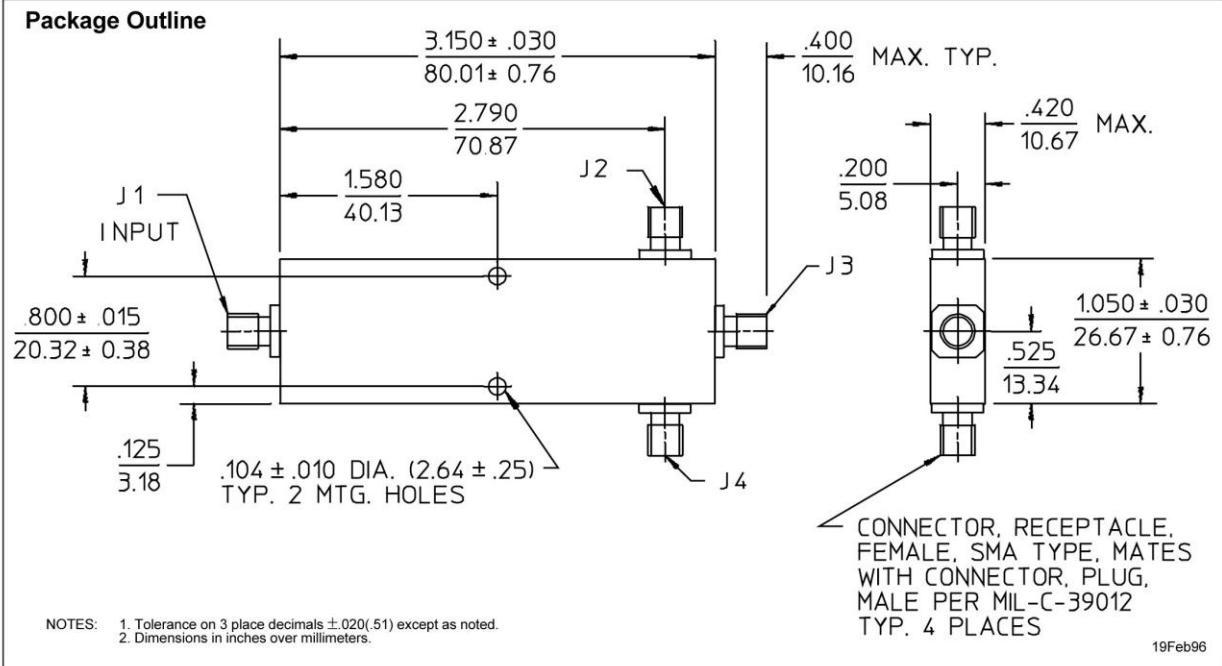
- 2 to 18 GHz
- 3-way
- Excellent Phase & Amplitude Balance
- Low Insertion Loss
- High Isolation
- SMA

<u>PRINCIPAL SPECIFICATIONS</u>										
Model Number	Freq. Range, GHz	Coupling, dB, Nom.	Insertion Loss, dB, Max.	Phase Balance, Max.	Amplitude Balance, dB, Max.	Isolation, dB, Min.	CW Input Power, Max., With VSWR _{out}			
							1.2:1	2.0:1	∞	
PDM-38-10G	2 - 18	-4.8	1.2	8°	± 0.4	20	30W	10W	1W	

General Notes:
 1. The PDM-38-10G provides three-way in-phase division of microwave signals in the 2 to 18 GHz range. It is one of a series of *true* multi-way Power Dividers developed to meet the demands of broadband systems requiring very low insertion loss and high output isolation. This model is generally available from stock.

GENERAL SPECIFICATIONS

Input/Output VSWR: 1.4:1 max.
 Impedance: 50 Ω nom.
 Weight: 2.5 oz. (70 g)
 Operating Temperature: -55° to +95°C



Crane Aerospace & Electronics
 Microwave Solutions – Merrimac Industries
 41 Fairfield Place, West Caldwell, NJ 07006
 + 1.973.575.1300 ext. 1309 • mw@crane-eg.com
www.craneae.com/mw



PDM3810G.doc. This revision supersedes all previous releases. All technical information is believed to be accurate, but no responsibility is assumed for errors. We reserve the right to make changes in products or specifications without notice. Copyright © 2013 Crane Electronics, Inc. All rights reserved.