

# PDF-3C SERIES – 0° POWER DIVIDERS/COMBINERS

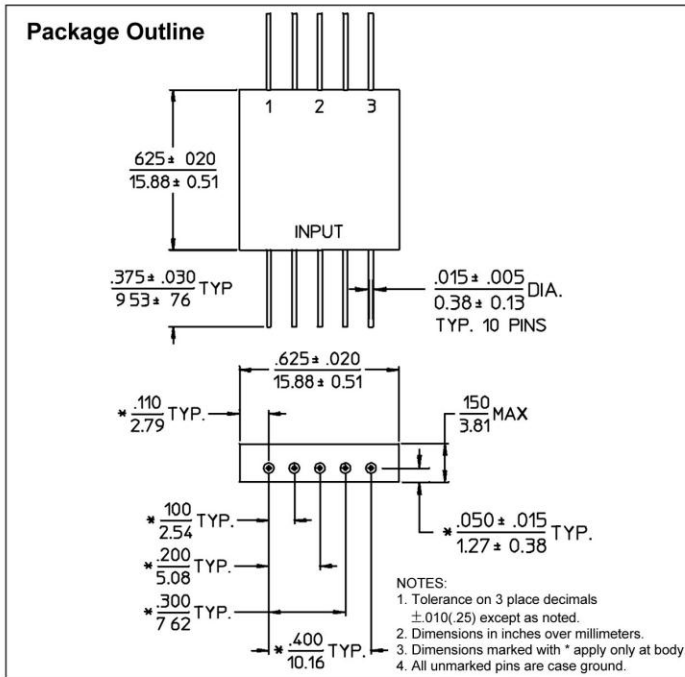
## TECHNICAL FEATURE

### FEATURES

- 1 to 1000 MHz
- 3-way
- Low Insertion Loss
- Broadband
- Low Profile, Hi-Rel Hermetic Package

<b>PRINCIPAL SPECIFICATIONS</b>													
Model Number	Freq. Range, MHz	Freq. Perform., MHz	Isolation, dB		Insertion Loss, dB		Phase Balance		Amplitude Bal., dB		VSWR In/Output		Input Power* W, Max.
			Min.	Typ.	Max.	Typ.	Max.	Typ.	Max.	Typ.	Max.	Typ.	
PDF-3C-50	1 - 100	1 - 100	30	33	0.7	0.4	3°	1°	0.3	0.2	1.3:1	1.2:1	1
PDF-3C-150	1 - 300	2 - 200	28	32	1.0	0.8	3°	2°	0.3	0.15	1.35:1	1.2:1	1
PDF-3C-525	50 - 1000	1 - 300	20	25	1.2	1.0	4°	3°	0.4	0.2	1.6:1	1.3:1	1
		50 - 800	20	25	1.5	0.8	8°	3°	0.5	0.3	1.5:1	1.3:1	1
		800 - 1000	20	25	2.25	1.5	10°	5°	0.7	0.5	1.7:1	1.4:1	1

\*CW input power when used as divider with 1.2:1 VSWR<sub>out</sub>



<b>GENERAL SPECIFICATIONS</b>	
Coupling:	- 4.8 dB nom.
Impedance:	50 Ω nom.
Internal Load Dissipation:	50 mW
Weight, nominal:	0.15 oz. (4.3 g)
Operating Temp. :	- 55° to +85°C

