

JPM-20 – JPM-400 QUADRAPHASE MODULATORS

TECHNICAL FEATURE

FEATURES

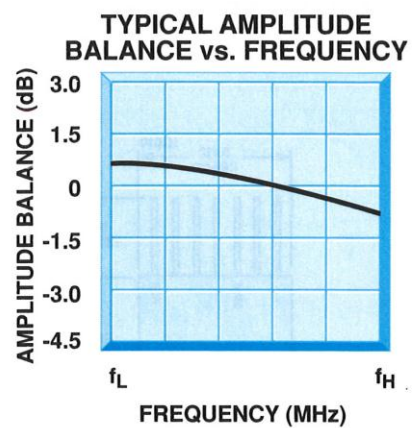
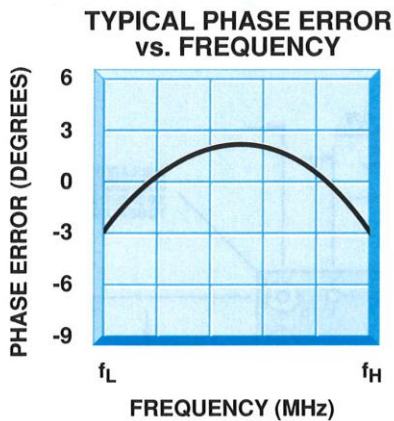
- 400 to 600 MHz

PERFORMANCE

RF Input Level	+5 dBm
Output for Specified Input.....	-2 dBm min
Output Level Differential Between Any Two Phases	
Center Frequency.....	±0.5 dB
Over Frequency Band.....	±1.5
Impedance.....	50 ohms
Data Input (1-2 and 3-4).....	DC-100
Power Mac.....	1 Watt @ +25°C
Operating Temperature Range.....	-54 to +85° C

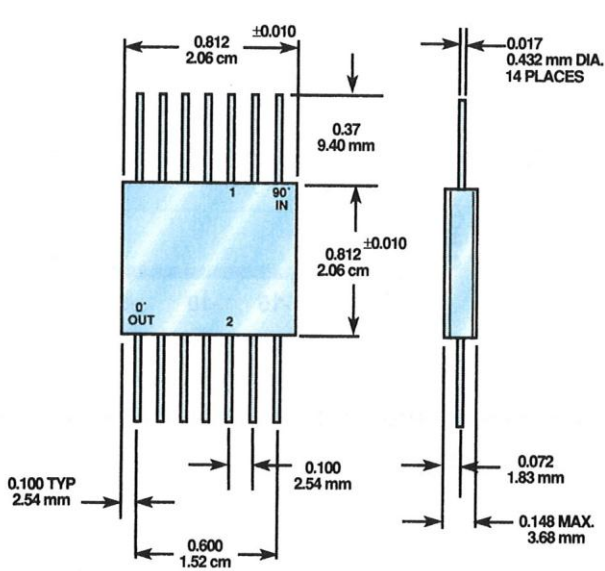
PRODUCT SELECTION GUIDE

Part No.	Frequency Range (MHz)
JPM-20	14 TO 18
JPM-25	17 TO 33
JPM-30	20 TO 40
JPM-45	30 TO 60
JPM-70	50 TO 90
JPM-75	55 TO 100
JPM-100	70 TO 140
JPM-120	80 TO 160
JPM-150	100 TO 200
JPM-240	160 TO 320
JPM-300	225 TO 350
JPM-385	320 TO 450
JPM-400	350 TO 450

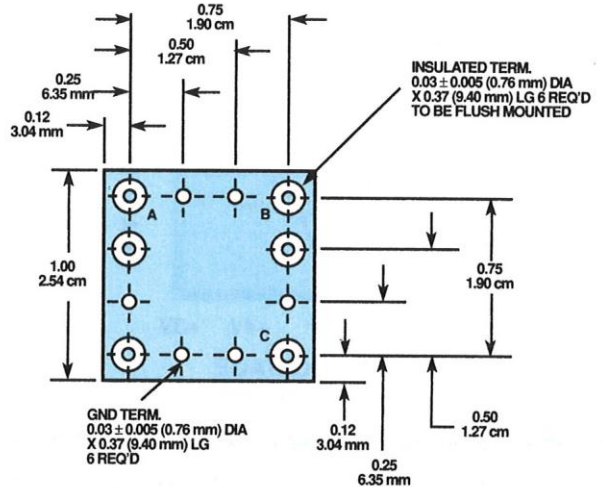


JPM-20 – JPM-400 QUADRAPHASE MODULATORS

MECHANICAL OUTLINE

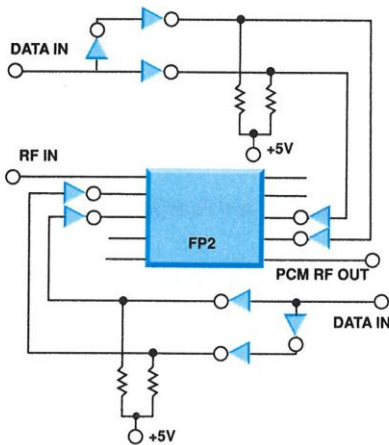


FP8 Package



P Package

TYPICAL DRIVE CIRCUIT



Data Inputs/Relative Phase/RF Phase Tolerance
Level On Pin/Of Output/10% BW Full BW

2378	0101	0°	REF	REF
	0110	90°	±3°	±5°
	1010	180°	±3°	±5°
	1001	270°	±3°	±5°
	Low (Logic 0)			+0.5V

FUNCTIONAL SCHEMATIC

