

J4-50001 QUADRATURE HYBRIDS

TECHNICAL FEATURE

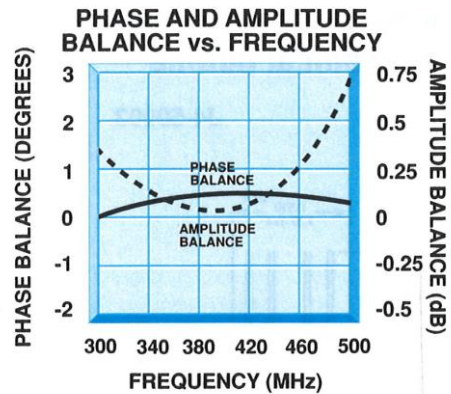
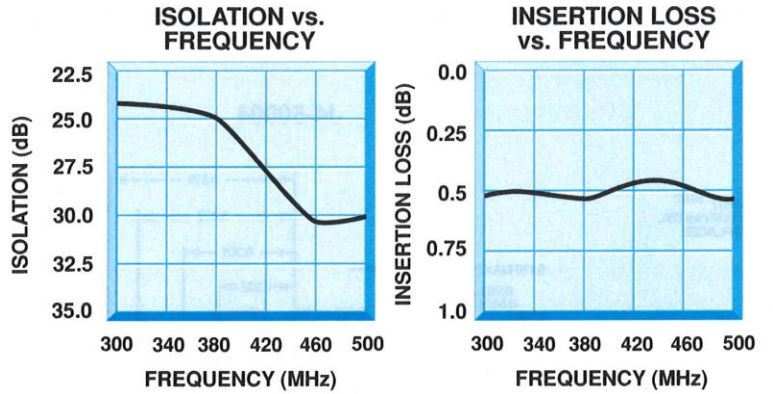
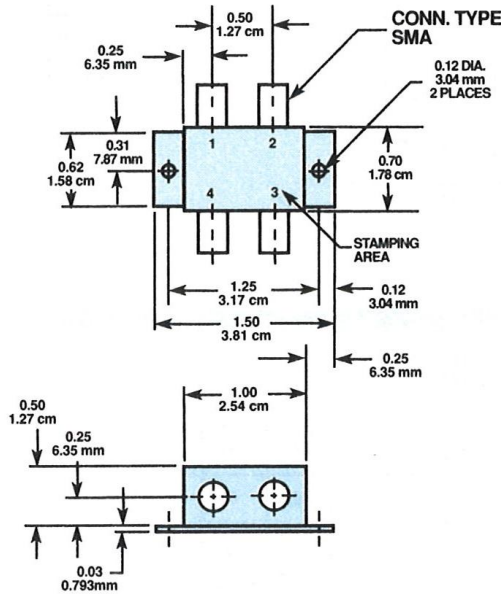
FEATURES

- 300 to 500 MHz

PERFORMANCE

Frequency Range.....	300 - 500 MHz
Isolation.....	20 dB min
Insertion Loss	0.75 dB max
VSWR.....	1.3:1 max
Phase Balance	±4° max
Amplitude Balance	±0.75 dB max
Impedance.....	50 Ohms
Power Handling	3 Watts max
Operating Temperature Range.....	-54 to +85° C

MECHANICAL OUTLINE



TRUTH TABLE

OUT \ IN	1	2	3	4
1	X	ISOL	0°	-90°
2	ISOL	X	-90°	0°
3	0°	-90°	X	ISOL
4	-90°	0°	ISOL	X