

J4-30006/30007/30008 QUADRATURE HYBRIDS

TECHNICAL FEATURE

FEATURES

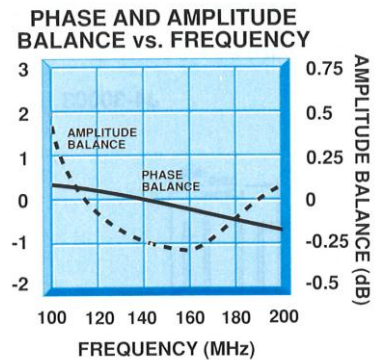
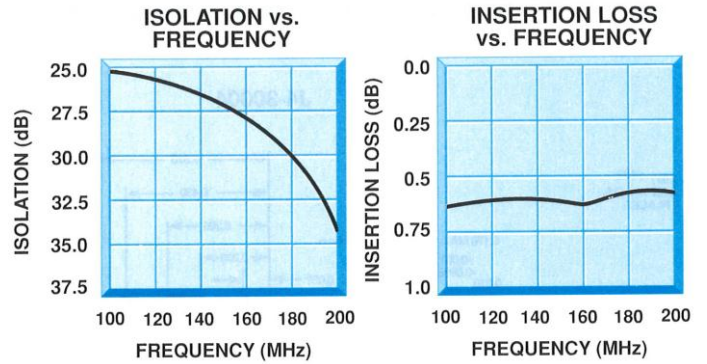
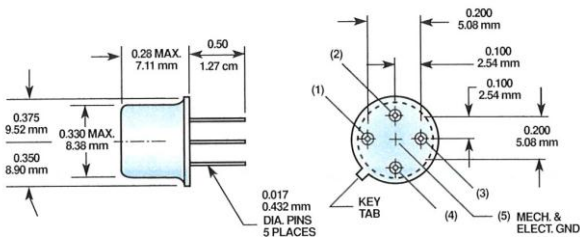
- 100 to 200 MHz

PERFORMANCE

Frequency Range.....	100 - 200 MHz
Isolation.....	20 dB min
Insertion Loss	0.75 dB max
VSWR.....	1.3:1 max
Phase Balance	$\pm 4^\circ$ max
Amplitude Balance	± 0.75 dB max
Impedance.....	50 Ohms
Power Handling	3 Watts max
Operating Temperature Range.....	-54 to +85° C

MECHANICAL OUTLINE

J4-30006



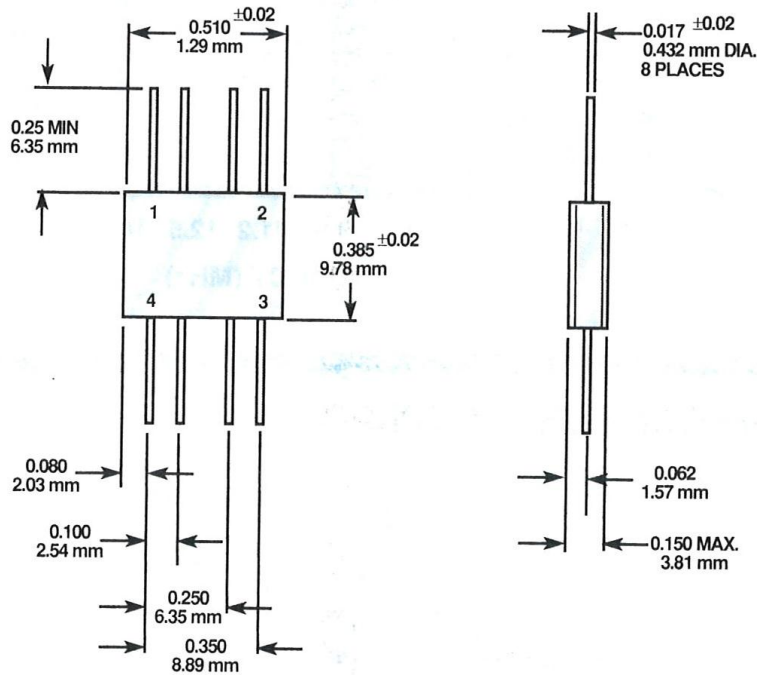
TRUTH TABLE

OUT IN	1	2	3	4
1	X	ISOL	0°	-90°
2	ISOL	X	-90°	0°
3	0°	-90°	X	ISOL
4	-90°	0°	ISOL	X

J4 30006/30007/30008 QUADRATURE HYBRIDS

MECHANICAL OUTLINE

J4-30007



J4-30008

