

# J4-30005 QUADRATURE HYBRIDS

## TECHNICAL FEATURE

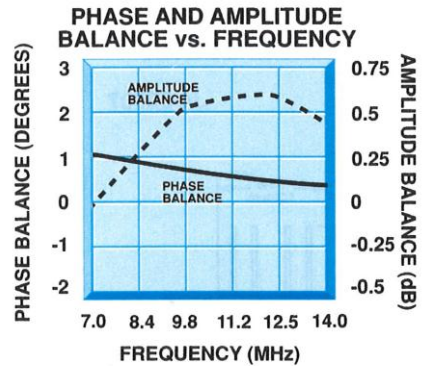
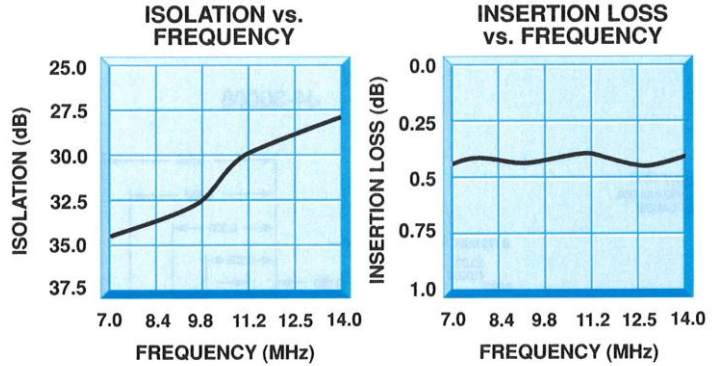
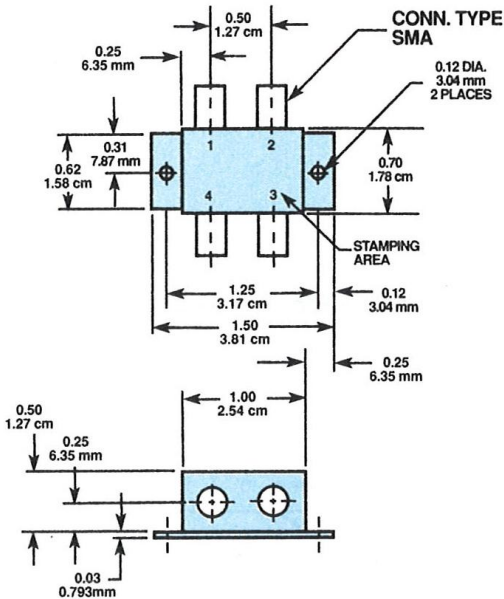
### FEATURES

- 100 to 200 MHz

### PERFORMANCE

Frequency Range.....	100 - 200 MHz
Isolation.....	20 dB min
Insertion Loss .....	0.75 dB max
VSWR.....	1.3:1 max
Phase Balance .....	±4° max
Amplitude Balance .....	±0.75 dB max
Impedance.....	50 Ohms
Power Handling .....	3 Watts max
Operating Temperature Range.....	-54 to +85° C

### MECHANICAL OUTLINE



### TRUTH TABLE

OUT IN	1	2	3	4
1	X	ISOL	0°	-90°
2	ISOL	X	-90°	0°
3	0°	-90°	X	ISOL
4	-90°	0°	ISOL	X