

J4-30001 QUADRATURE HYBRIDS

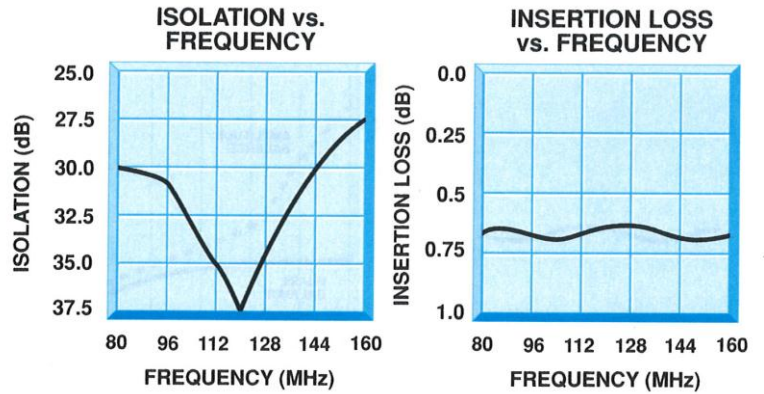
TECHNICAL FEATURE

FEATURES

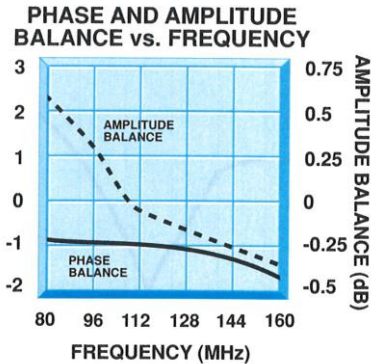
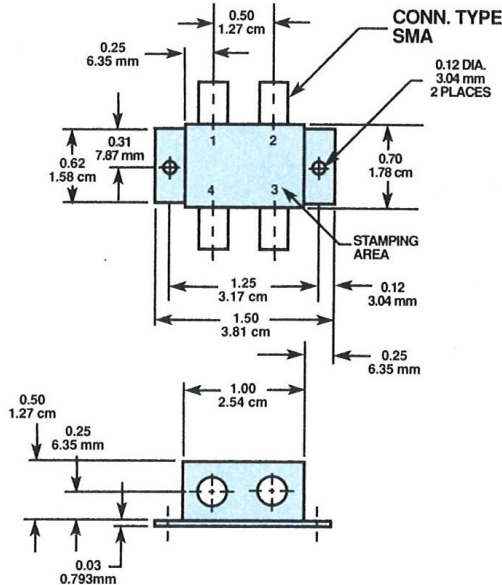
- 80 to 160 MHz

PERFORMANCE

| | |
|----------------------------------|-------------------|
| Frequency Range..... | 80 - 160 MHz |
| Isolation..... | 25 dB min |
| Insertion Loss | 0.75 dB max |
| VSWR..... | 1.3:1 max |
| Phase Balance | $\pm 3^\circ$ max |
| Amplitude Balance | ± 0.75 dB max |
| Impedance..... | 50 Ohms |
| Power Handling | 3 Watts max |
| Operating Temperature Range..... | -54 to +85° C |



MECHANICAL OUTLINE



TRUTH TABLE

| OUT IN | 1 | 2 | 3 | 4 |
|-----------|------|------|------|------|
| 1 | X | ISOL | 0° | -90° |
| 2 | ISOL | X | -90° | 0° |
| 3 | 0° | -90° | X | ISOL |
| 4 | -90° | 0° | ISOL | X |

Crane Aerospace & Electronics
 Microwave Solutions – Signal Technology
 28 Tozer Road, Beverly, MA 01915
 +1.978.524.7200 • mw@crane-eg.com
www.craneae.com/mw

