

J4-20005 QUADRATURE HYBRIDS

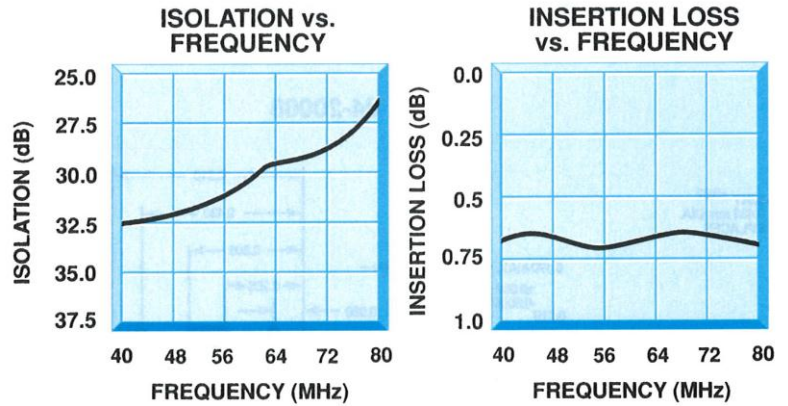
TECHNICAL FEATURE

FEATURES

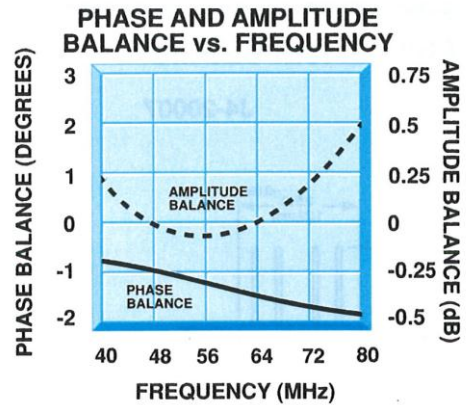
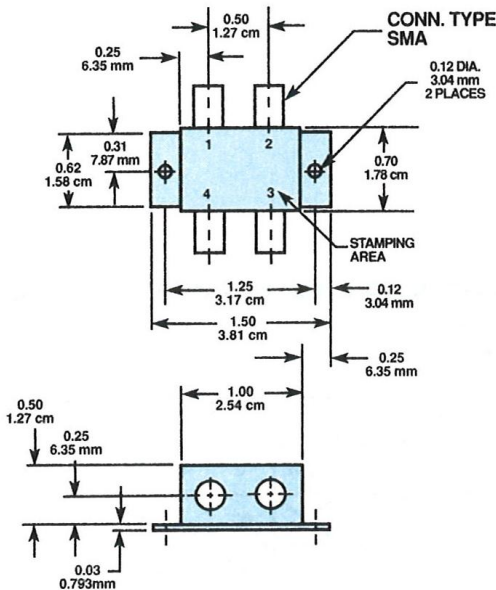
- 40 to 80 MHz

PERFORMANCE

Frequency Range.....	40 - 80 MHz
Isolation.....	25 dB min
Insertion Loss	0.5 dB max
VSWR.....	1.2:1 max
Phase Balance	$\pm 3^\circ$ max
Amplitude Balance	± 0.75 dB max
Impedance.....	50 Ohms
Power Handling	3 Watts max
Operating Temperature Range.....	-54 to +85° C



MECHANICAL OUTLINE



TRUTH TABLE

OUT IN	1	2	3	4
1	X	ISOL	0°	-90°
2	ISOL	X	-90°	0°
3	0°	-90°	X	ISOL
4	-90°	0°	ISOL	X

Crane Aerospace & Electronics
 Microwave Solutions – Signal Technology
 28 Tozer Road, Beverly, MA 01915
 +1.978.524.7200 • mw@crane-eg.com
www.craneae.com/mw

