

Ku-Band 4-Way Iso-Divider

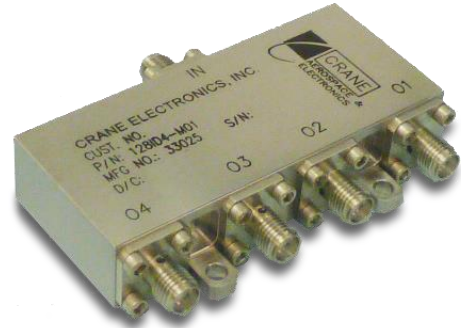
TECHNICAL FEATURE

FEATURES

- Light Weight and Small Size
- Broadband
- Low Insertion Loss
- Extremely High Isolation
- Space Qualified
- Also available as an Iso-Combiner

PERFORMANCE

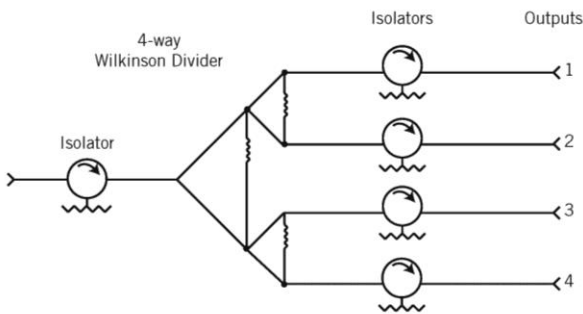
Frequency.....	10.7 - 14.8 GHz
Return Loss (Input & Output).....	20 dB min
Isolation between Outputs.....	38 dB min
Insertion Loss (above 6.0 dB theoretical)	1.2 dB max
Phase Balance	+8 ° max
Power Handling	2 W max
Magnetic Emission	0.5 Am ² max
EMI Shielding.....	-80 dBi min
RF Connection Interface	SMA Female
Operating Temperature Range.....	-55 to +85°C
Package Size.....	2.64" X 1.52" X 0.56"



DESCRIPTION

The Iso-Divider product represents a marriage of Crane Electronics' Passive and Ferrite products. It is a higher isolation power divider, which removes the need for additional components and connectors. Removing these components improves the reliability and allows the electrical performance to be enhanced.

This product provides the ability for a Satellite receiver or transmitter to share antennas in a redundant configuration. This is a critical function, which demands low insertion loss and exceptional performance. Matching the power divider and isolator characteristics allows the best overall unit performance to be achieved.



Functional Diagram

