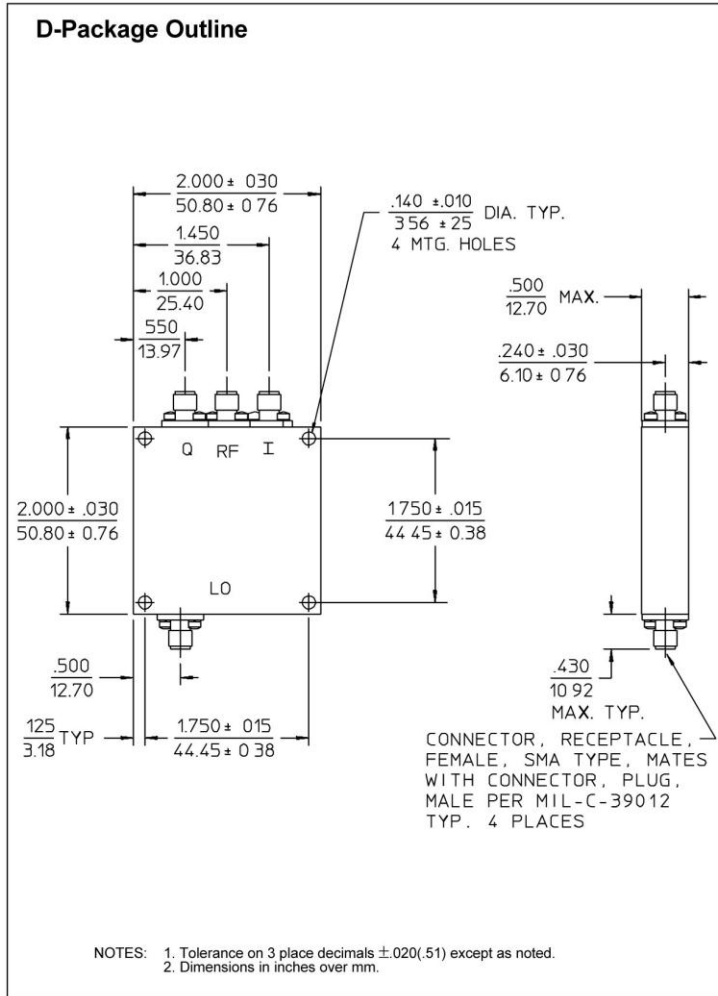
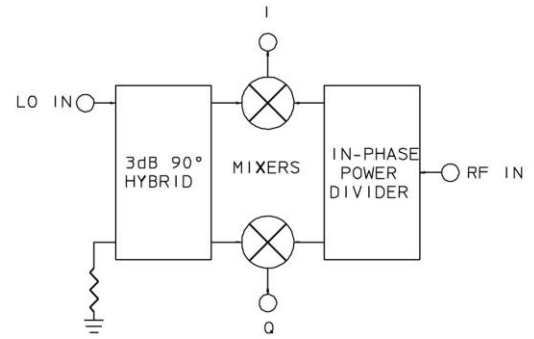


IQM-2D SERIES – I&Q NETWORKS

TECHNICAL FEATURE

FEATURES

- 2.5 to 6.5 GHz
- 10% Bandwidths
- Excellent Phase and Amplitude Balance
- Hi-Rel SMA Package



PRINCIPAL SPECIFICATIONS

Model Number	RF/LO Center Freq., f_0 , GHz	RF/LO Bandwidth MHz
IQM-2D-****B	2.5 to 6.5	10% of f_0

For complete model number replace **** with desired center freq. f_0 in MHz

GENERAL SPECIFICATIONS

RF/LO Input Characteristics

Impedance: 50 Ω nom.
 VSWR: 10% BW: 1.5:1 max.
 RF Power Level: 0 dBm nom.
 LO Power Level: +10 dBm nom.

I & Q Output Characteristics

90° Phase Balance: ± 3° typ., ± 5° max.
 For $f_L > f_R$: I=0°, Q=+90°
 Amplitude Balance: 0.3 dB typ., 0.5 dB max.
 Video Bandwidth, nom: DC to 500 MHz
 Output Impedance: 50 Ω nom.

Conversion Loss: 10 dB typ., 12 dB max.
 (RF to I or Q)

Weight, nominal: 3 oz (84 g)
 Operating Temperature: -55° to +85°C

AVAILABLE OPTIONS

2° and 0.2 dB Versions: For fixed LO
 Wider Bandwidths: Contact factory

General Notes:

1. I & Q networks are integrated networks that produce two quadrature phased, equal amplitude signals when fed RF and LO signals.
2. The IQM-2D series of microwave I&Q networks uses both lumped element circuits and distributed circuit technology for small size and high performance.
3. Merrimac I & Q Networks comply with the relevant sections of MIL-M-28837 and may be supplied screened for compliance with additional specifications for military and space applications requiring the highest reliability.

24May96

