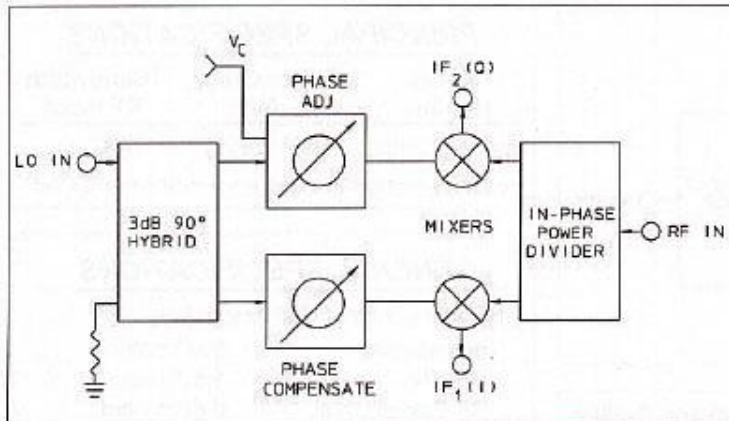


IQF-25F SERIES – I&Q NETWORKS

TECHNICAL FEATURE

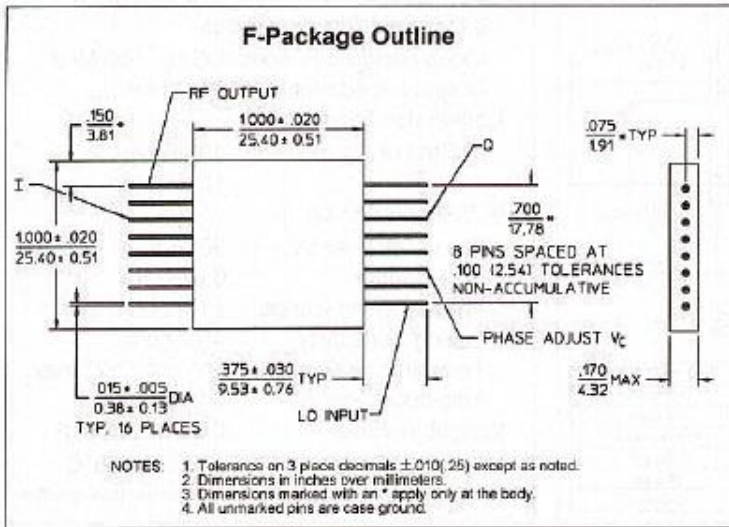
FEATURES

- Units to 1 GHz
- 10 % Bandwidth
- In-Circuit, Voltage Controlled Phase Balance
- Hi-Rel Hermetic Package



PRINCIPAL SPECIFICATIONS		
Model Number	Center Freq f_0 , MHz	†Bandwidth RF Input
IQF-25F-***B	20 – 1000	10% of f_0
For complete Model Number replace *** with desired LO Frequency in MHz.		

GENERAL SPECIFICATIONS	
RF and LO Input Characteristics	
Impedance:	50 Ω nom.
VSWR:	1.5:1 max.
RF Power Level:	0 dBm nom.
LO Power Level:	+10 dBm nom.
I & Q Output Characteristics	
Video Bandwidth, nom:	DC to †50 MHz
Output Impedance:	50 Ω nom.
Conversion Loss	
(RF to I or Q):	10 dB typ.
IF Balance (I to Q)	
Phase, @ $V_c = +5V$:	$90^\circ \pm 2^\circ$
Bias Control:	0 to +15V @ 1.5 mA max.
Adjustable Range:	$\pm 10^\circ$ nom.
Sensitivity:	$5^\circ/V$ nom.
Temperature Stability:	$\pm 1^\circ$ max.
Amplitude:	0.2 dB max.
Weight, nominal:	0.35 oz (10g)
Operating Temperature:	-55° to $+85^\circ C$
†RF and Video Bandwidths typically much greater than that specified.	



General Notes:

1. I & Q networks are integrated devices that produce two quadrature-phased, equal amplitude signals when fed RF and LO signals.
2. The IQF-25F series features an in-circuit, voltage controlled phase balance that allows fine adjustment of phase. This feature provides accuracy not previously attainable in a comparably small package. In addition, the voltage controlled phase balance input facilitates closed loop, servo operation using the phase adjustment input as feedback.
3. Merrimac I & Q networks comply with the relevant sections of MIL-M-28837 and may be supplied screened for compliance with additional specifications for military and space applications requiring the highest reliability.

13Feb96

Crane Aerospace & Electronics
 Microwave Solutions – Merrimac Industries
 41 Fairfield Place, West Caldwell, NJ 07006
 + 1.973.575.1300 ext. 1309 • mw@crane-eg.com
www.craneeae.com/mw



IQF-25F.doc. This revision supersedes all previous releases. All technical information is believed to be accurate, but no responsibility is assumed for errors. We reserve the right to make changes in products or specifications without notice. Copyright © 2013 Crane Electronics, Inc. All rights reserved.