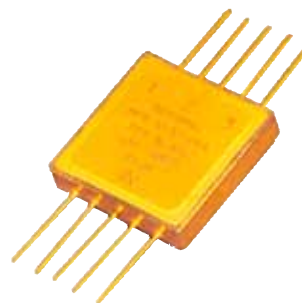


# 0/180° HYBRID JUNCTION - HJF-C-100 SQ

## TECHNICAL FEATURE

### FEATURES

- Space Qualified
- 2 - 200 MHz
- High Isolation



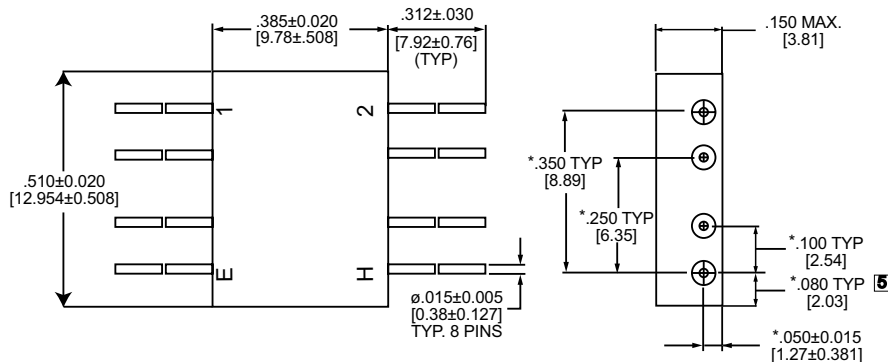
### PERFORMANCE

Frequency Range .....	2 - 200 MHz
Isolation .....	25 dB min., 30 db typ.
Insertion Loss .....	1.0 dB max., 0.7 dB typ.
Amplitude Balance .....	0.3 dB max., 0.2 dB typ.
Phase Balance .....	± 3° max, ±2° typ.
VSWR Input/Output.....	1.5:1 max., 1.2:1 typ.
Input Power .....	1 W max.
Coupling .....	3.0 dB nom.
Impedance.....	50 OHM nom.
Operating Temperature .....	-55° to +85° C

### DESCRIPTION

The HJF-C-100 SQ Hybrid Junction covers 2 - 200 MHz using a special lumped element design to reduce the size while maintaining high performance. This device has been designed in accordance with Merrimac document CENG-0001, "Standard Design Requirements for Space Qualified Devices".

## PACKAGE OUTLINE



- NOTES:
1. TOLERANCE ON 3 PLACE DECIMALS ±.010 [.25mm] EXCEPT AS NOTED.
  2. MAX. IS LARGEST DIMENSION ALLOWED.
  3. DIMENSIONS = INCHES [mm]
  4. METRIC EQUIVALENTS ARE TO THE NEAREST .01mm.
  5. ALL LEADS TO BE WITHIN ± .010 [.25mm] OF EACH OTHER AT THIS DIMENSION.
  6. DIMENSIONS MARKED WITH \* APPLY ONLY AT BODY.
  7. ALL UNMARKED PINS ARE CASE GROUND.

LABEL	1	E	2	H
H	0°	ISO	0° REF	
E	180		0° REF	ISO

