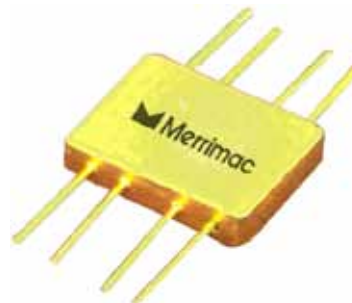


0/180° HYBRID JUNCTION - HJF-A-500 SQ

TECHNICAL FEATURE

FEATURES

- Space Qualified
- 5 - 1000 MHz
- Broadband, High Isolation



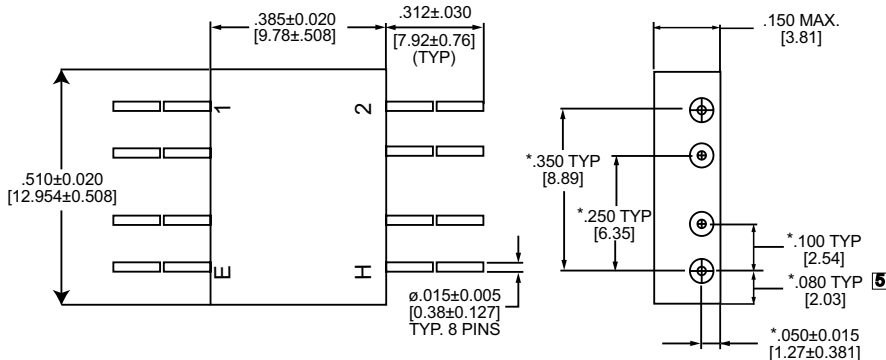
PERFORMANCE

Frequency Range	5 - 1000 MHz
Isolation	25 dB min., 30 db typ.
Insertion Loss	1.7 dB max., 1.2 dB typ.
Amplitude Balance	0.4 dB max., 0.2 dB typ.
Phase Balance	± 4° max, ±2° typ.
VSWR Input/Output.....	1.4:1 max., 1.2:1 typ.
Input Power	1 W max.
Coupling	3.0 dB nom.
Impedance.....	50 OHM nom.
Operating Temperature	-55° to +85° C

DESCRIPTION

The HJF-A-500 SQ hybrid junction covers a frequency range of 5 - 1000 MHz using a special lumped element design to reduce the size while maintaining high performance. This device has been designed in accordance with Merrimac document CENG-0001, "Standard Design Requirements for Space Qualified Devices".

PACKAGE OUTLINE



- NOTES:
1. TOLERANCE ON 3 PLACE DECIMALS ±.010 [.25mm] EXCEPT AS NOTED.
 2. MAX. IS LARGEST DIMENSION ALLOWED.
 3. DIMENSIONS = INCHES [mm]
 4. METRIC EQUIVALENTS ARE TO THE NEAREST .01mm.
 5. ALL LEADS TO BE WITHIN ± .010 [.25mm] OF EACH OTHER AT THIS DIMENSION.
 6. DIMENSIONS MARKED WITH * APPLY ONLY AT BODY.
 7. ALL UNMARKED PINS ARE CASE GROUND.

E	H	1	2
Isol.	In	0° ref.	0°
In	Isol.	0°	-180°

