

HJ-43002 3-WAY 0° POWER DIVIDERS

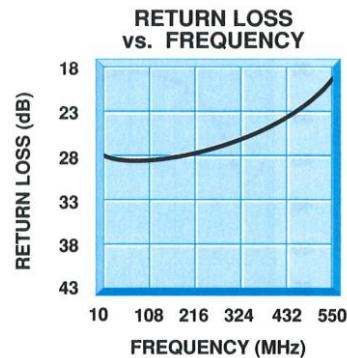
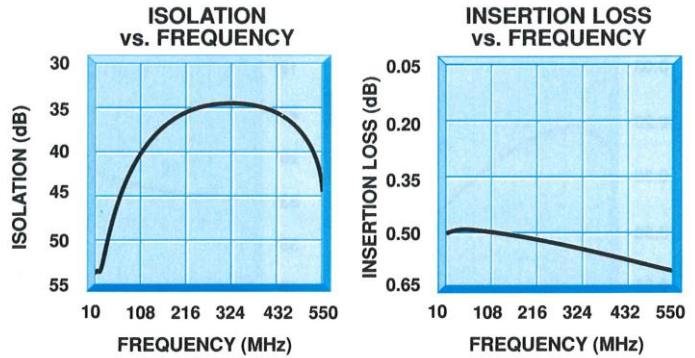
TECHNICAL FEATURE

FEATURES

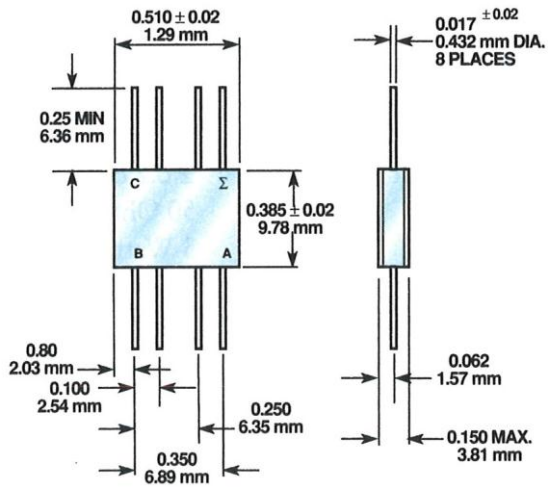
- 10 to 500 MHz

PERFORMANCE

Frequency Range.....	10 to 500 MHz
Isolation.....	25 dB min
Insertion Loss	0.75 dB max
VSWR.....	1.3:1 max
Phase Balance	±2° max
Amplitude Balance	±0.2 dB max
Impedance.....	50 Ohms
Power Handling	3 Watts max
Operating Temperature Range.....	-54 to +85° C



MECHANICAL OUTLINE



FUNCTIONAL SCHEMATIC

