

HJ-40002/40003/40004 2-WAY 0° POWER DIVIDER

TECHNICAL FEATURE

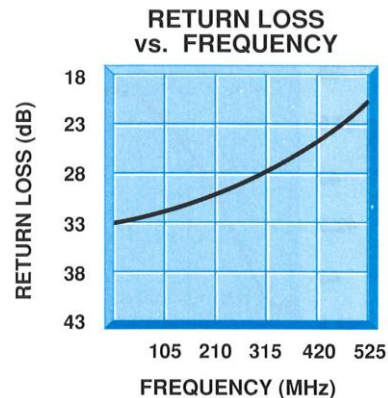
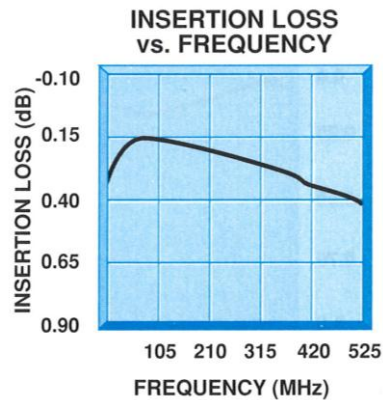
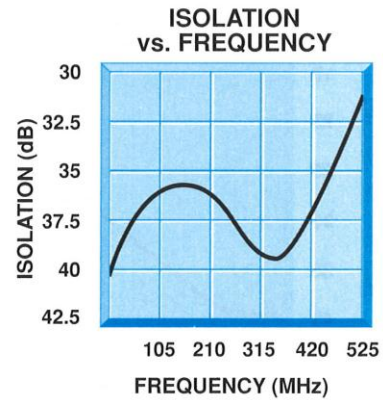
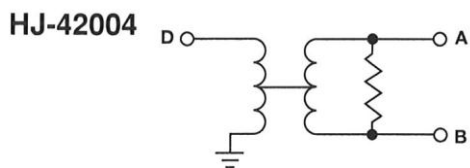
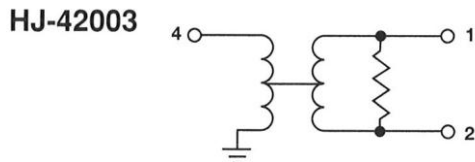
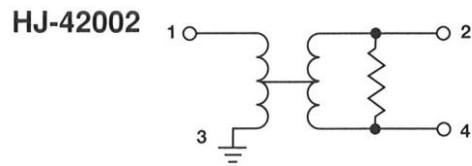
FEATURES

- 10 to 500 MHz

PERFORMANCE

Frequency Range.....	10 - 500 MHz
Isolation.....	30 dB min
Insertion Loss	10.65 dB max
VSWR.....	1.3:1 max
Phase Balance	$\pm 2^\circ$ max
Amplitude Balance	± 0.1 dB max
Impedance.....	50 Ohms
Power Handling	3 Watts max
Operating Temperature Range.....	-54 to +85° C

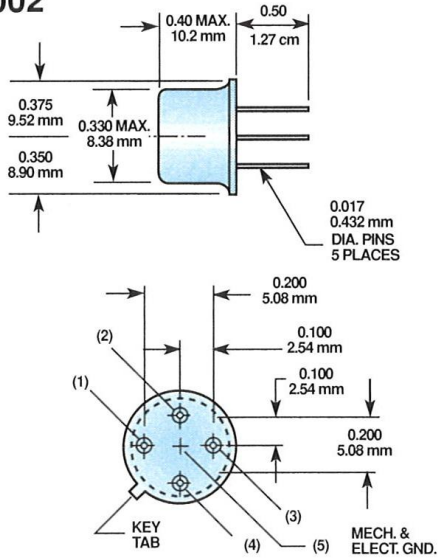
FUNCTIONAL SCHEMATIC



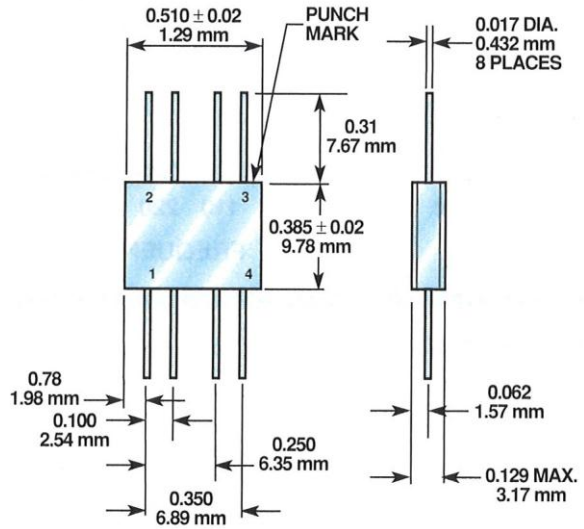
HJ-40002/40003/40004 2-WAY 0° POWER DIVIDER

MECHANICAL OUTLINE

HJ-42002



HJ-42003



HJ-42004

