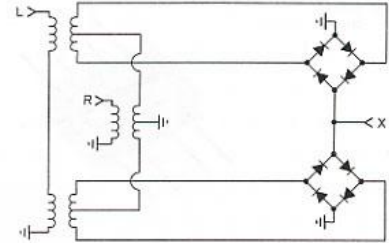


DMF-6A-1500 – DOUBLE BALANCED MIXER

TECHNICAL FEATURE

FEATURES

- 10 to 3000 MHz
- +10 to +17 dBm LO
- Flatpack

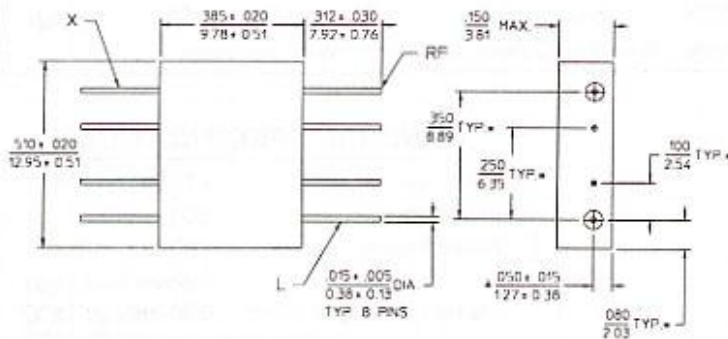


PRINCIPAL SPECIFICATIONS

Model Number	RF/LO, MHz	*IF, MHz	Operating Frequency, MHz	Conv. Loss, dB,		Port Isolation, Min. dB			Polarity Sense
				Max.	Typ.	dB	dB	dB	
DMF-6A-1500	10 - 3000	10 - 1000	10 - 500	9.0	8.5	25	20	15	Neg.
			500 - 1000	9.0	8.0	30	25	20	
			1000 - 3000	9.0	8.5	20	20	20	

All specifications are as measured in a 50Ω system, at nominal LO power, in a down converter application.
 * IF frequency response extends to DC with increased conversion loss.

Package Outline



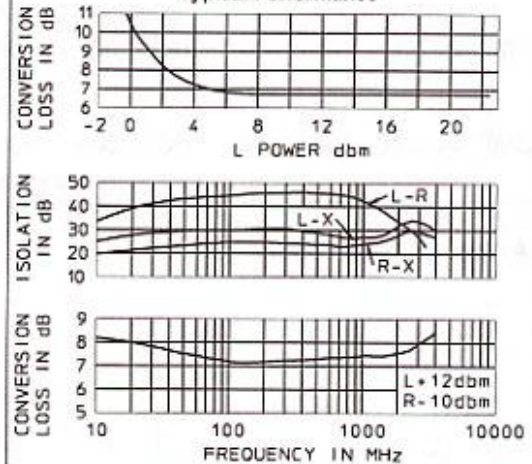
- NOTES: 1. Tolerance on 3 place decimals ± 0.10(.25) except as noted.
 2. Dimensions in inches over millimeters.
 3. Dimensions marked with * apply only at body.
 4. All unmarked pins are case ground.

General Notes:

The DMF-6A-1500 Double Balanced Mixer covers the frequency range of 10 to 3000 MHz using two parallel ring modulators to produce an extremely wide bandwidth circuit while maintaining high performance characteristics. Although DMF-6A-1500 has been designed for drive levels of +13 dBm, it will operate at drive levels ranging from +10 to +17 dBm.

22Feb96

Typical Performance



GENERAL SPECIFICATIONS

- LO Drive: +13 dBm nom.
 Impedance: 50 Ω nom.
 Noise Figure: Within ±1 dB of Conversion Loss
 Maximum Input Power: 600 mW @ 25°C
 (derate linearly to 0 mW @ 125°C)
 1 dB Compression Point: +7 dBm typ.
 Input Intercept Point: +19 dBm typ.
 DC Offset Voltage: 8 mV typ.
 Weight: 0.1 oz (2.8 g)
 Operating Temperature: -55° to +85°C