

# BPM-1047 GAs BI-PHASE MODULATORS

## TECHNICAL FEATURE

### FEATURES

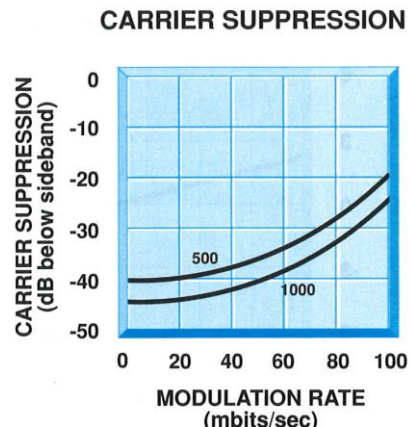
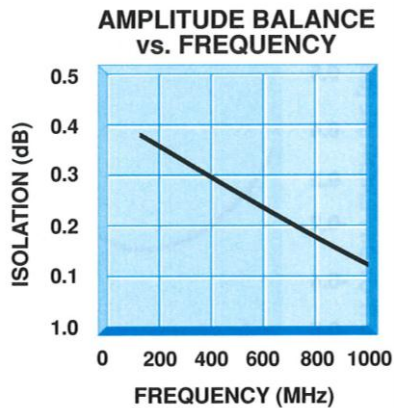
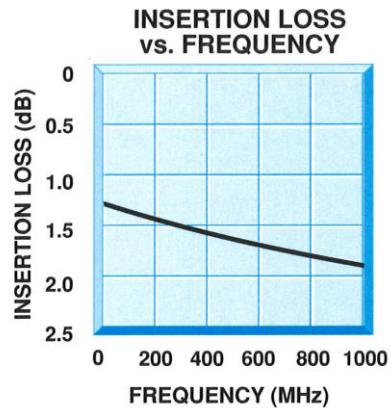
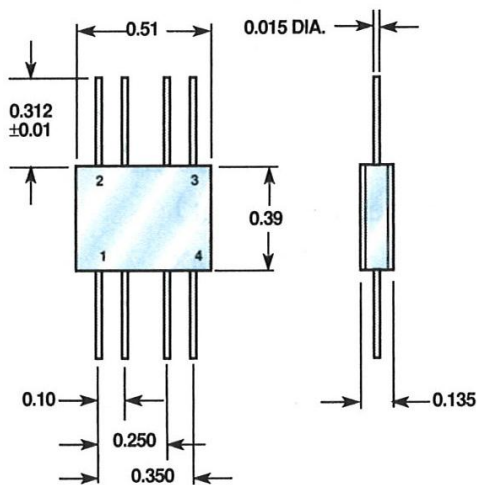
- 100 to 1000 MHz

### PERFORMANCE

Frequency Range.....	100 - 1000 MHz
Phase Accuracy .....	$\pm 3^\circ$ max
Insertion Loss .....	2.5 dB max
Switching Speed	
50% CTL – 10% RF .....	8 ns max
10% - 90% RF .....	4 ns max
VSWR .....	1.6:1 max
Control Logic.....	CMOS (1 line)
Carrier Suppression .....	20 dBc min
..... @ = 60 Mbits/sec max	
Modulation Rate .....	87 Mbits/sec max
Amplitude Balance .....	$\pm 0.5$ dB max
Power Supply .....	+5 VDC @ 500 $\mu$ A max
	(quiescent)

### MECHANICAL OUTLINE

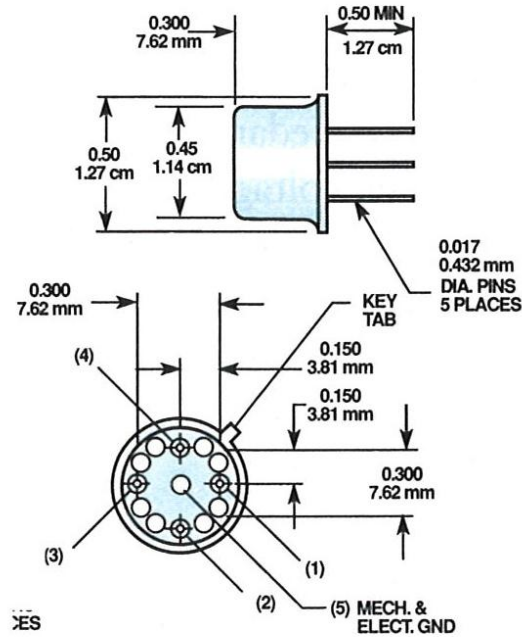
#### FP-BPM-1047



# BPM-1047 GaAs Bi-Phase Modulators

## MECHANICAL OUTLINE

### TO-BPM-1047



### SM-BPM-1047

