



MICROWAVE ATTENUATORS

AUM & AUMP-15A



TECHNICAL FEATURE

FEATURES

- 1 - 8 GHz
- 0 to 20 dB Range
- Ferrite
- Excellent Temperature Stability
- SMA

PRINCIPAL SPECIFICATIONS

Model Number	Attenuation dB Min.	Insertion Loss dB Max.	VSWR Max.	Impedance	Input Power Max.	Operating Temperature
AUM/AUMP-15A Series	1 - 2 GHz = 0 - 9 dB 2 - 4 GHz = 0 - 14 dB 4 - 8 GHz = 0 - 20 dB	0.5	1.6:1	50 Ω nom.	2 Watts	-55° to +85°C

GENERAL NOTES

The AUM/AUMP-15A series has been designed for wideband ECM systems and other microwave applications in the 1 GHz to 8 GHz frequency band where precise attenuation must be maintained over a wide variety of military and laboratory environments.

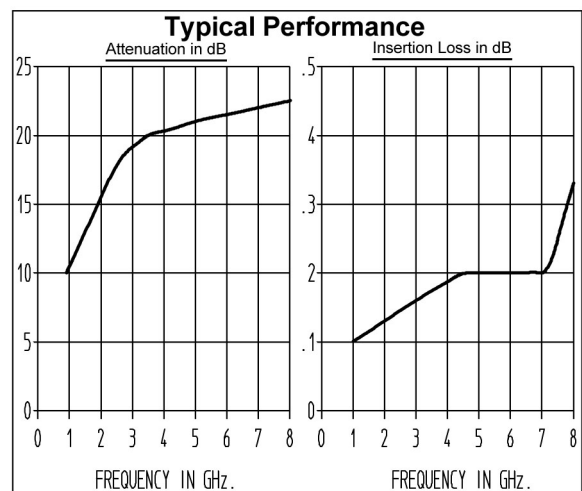
The AUM/AUMP-15A series of attenuators use ferrite absorption of microwave energy for long term stability and high reliability. Applications include signal and LO power control, automatic level control and impedance matching.

These units can be supplied screened to meet specific military and commercial high reliability applications.

GENERAL SPECIFICATIONS

Model #	Mechanical Configuration	Weight oz. (g)
AUM-15A	Standard Model	2.5 (70)
AUMP-15AKX	Panel Mount w/ Knob	4 (112)
AUMP-15ATX	Panel Mount w/ TC Dial	4 (112)

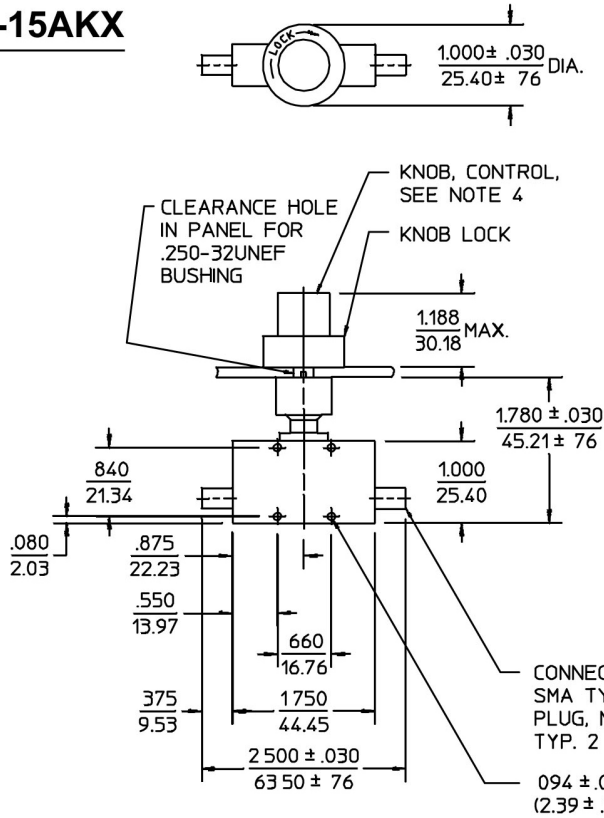
TYPICAL PERFORMANCE



MICROWAVE ATTENUATORS – AUM & AUMP-15A

PACKAGE OUTLINE

AUMP-15AKX



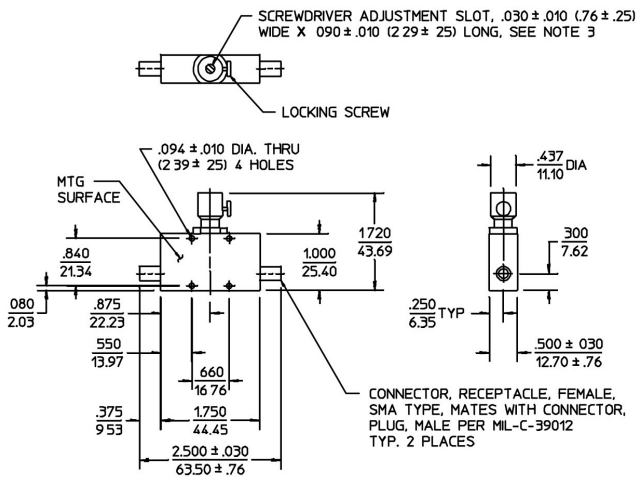
NOTES:

1. Tolerance on 3 place decimals $\pm .020(.51)$ except as noted.
2. Dimensions in inches over millimeters.
3. Knob lock and control knob are supplied by MERRIMAC.
4. Counter clockwise control knob rotation increases attenuation.
5. Call Merrimac for panel mount installation instructions.

04Mar96

PACKAGE OUTLINE

AUM-15A Package Outline

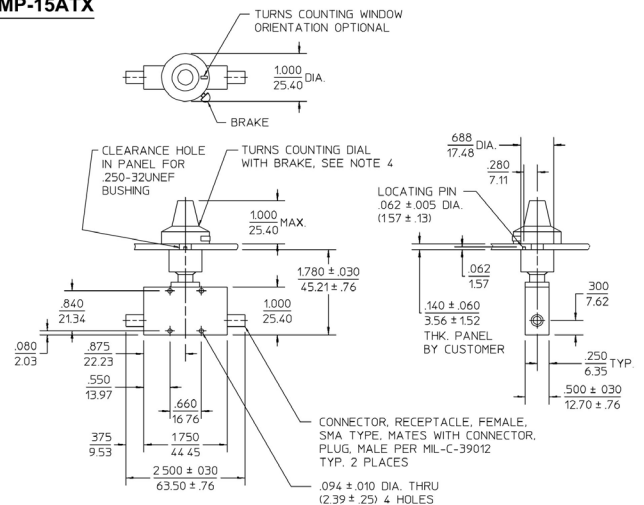


- NOTES:**
1. Tolerance on 3 place decimals $\pm .020(.51)$ except as noted.
 2. Dimensions in inches over millimeters.
 3. Counterclockwise shaft rotation increases attenuation.

04Mar96

PACKAGE OUTLINE

AUMP-15ATX



- NOTES:**
1. Tolerance on 3 place decimals $\pm .020(.51)$ except as noted.
 2. Dimensions in inches over millimeters.
 3. Turns counting dial, mfg nut, anti-rotation washer are supplied by MERRIMAC.
 4. Counter clockwise dial rotation increases attenuation.
 5. Call Merrimac for panel mount installation instructions.

7048-001